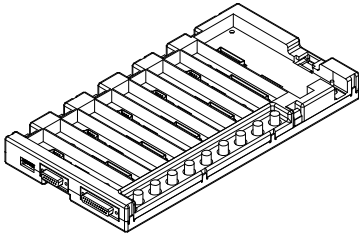


1701/05 FieldMonitor* Terminal Base

Bently Nevada* Asset Condition Monitoring



Description

The 1701/05 Terminal Base is the mounting platform for the FieldMonitor* system for applications where transducers are installed in non-hazardous, Division 2, or Zone 2 areas, or where external safety barriers are used. This terminal base provides the following:

- 1 slot for a power supply
- 4 slots for dual-channel vibration monitors
- 4 slots for internal Proximator* modules or transducer I/O modules
- 1 slot for an internal Proximator module or transducer I/O module for a Keyphasor* input (single input to channel A). A separate terminal base is needed for each shaft rotative speed as each terminal base can accommodate only one Keyphasor transducer.
- 1 slot for the 1701/22 FieldMonitor Management Interface Module
- I/O terminations for up to 9 externally-wired transducers
- Flexbus connections for physical connection of the terminal base to other Allen-Bradley® 1794 Flex™ I/O products or a network adapter
- Individual buffered dynamic signal connectors for all channels (including Keyphasor transducer)
- A buffered dynamic signal port for multi-channel cable connection

Note: An optional cable assembly (p/n 138925) is available when buffered dynamic outputs need to be routed to an external patch panel, or any other device requiring dynamic signals.



Specifications

1701/05 Terminal Base

Inputs/Outputs	Quantity
16-pin female Flexbus connector for connection directly to another Flex module	1
16-pin male Flexbus connector for connection directly to Flexbus using Flex extender cable	1
25-pin DSUB. Buffered dynamic output signals	1
Coaxial connectors for Buffered dynamic output signals	8
Coaxial connector for Buffered Keyphasor output signal	1
2 conductor Euro terminal for Buffered Keyphasor output signal	1
2 conductor Euro terminal for primary power input +24Vdc, + and - connections, 14 to 26 AWG.	1
8 conductor Euro terminals for transducer field wiring for 8 monitor channels, 18 to 26 AWG.	4
8 conductor Euro terminal for Keyphasor field wiring for one channel, 18 to 26 AWG.	1
15-pin DSUB. Synchronous Serial Static Port.	1
Wiring stud for instrument earth connection	1

Module Capacity

FieldMonitor Module	1701/05 Capacity
Power Supply	1
2-channel Transducer I/O Module or Internal Proximitors Module for Keyphasor transducer (only channel A takes Keyphasor signal input)	1

FieldMonitor Module	1701/05 Capacity
1701/22 FieldMonitor Management Interface Module	1
2-channel monitor module	Up to 4
2-channel Transducer I/O Modules or Internal Proximitors Modules (one per monitor)	Up to 4

Physical

Dimensions (L x W x H) (modules installed):

33.65 cm x 17.27 cm x 12.7 cm
(13.25 in x 6.8 in x 5 in)

Weight (no modules installed):

1.1 kg (2.4 lb.)

Mounting:

Bulkhead, four #8 bolts.

Environmental Limits

Operating Temperature:

-20 °C to + 70 °C (-4°F to +158°F)

Storage Temperature:

-40 °C to + 85 °C (-40°F to +185°F)

Operating Humidity:

0% to 95% non-condensing relative humidity

Storage Humidity:


0% to 95% non-condensing relative humidity

Hazardous Area Approvals

North America

Ex ia IIC: Class I, Zone 0:
Class I, Div 1, Groups A, B, C, D
Ex nA IIC T4
Class I, Zone 2
Class I, Div 2, Groups A, B, C, D
T4 @ $-30^{\circ}\text{C} \leq T_a \leq +70^{\circ}\text{C}$
When installed per drawing
number 139255

European/ATEX

 II 3G Ex nA [L] IIC T4 Gc
T4 @ $-30^{\circ}\text{C} \leq T_a \leq +70^{\circ}\text{C}$
When installed per drawing
number 139255

Brazil

Ex nA [nL] IIC T4 Gc
T4 @ $-30^{\circ}\text{C} \leq T_a \leq +70^{\circ}\text{C}$

Ordering Information

At least one terminal base is needed for each
FieldMonitor system.

1701/05-01

Terminal Base

Accessories

139193-01:

Blank Slot Cover Kit. Used to cover
unused monitor or transducer I/O
slots in the terminal base.

FieldMonitor Buffered Dynamic Cable

138925-AAA-BB

Option Description

A: Cable Length

005	5 ft (1.5 m)
007	7 ft (2.1 m)
010	10 ft (3 m)
025	25 ft (7.6 m)
050	50 ft (15.2 m)
100	100 ft (30.5 m)

B: Cable Assembly

00	Unassembled
02	Assembled

Dimensional Drawing

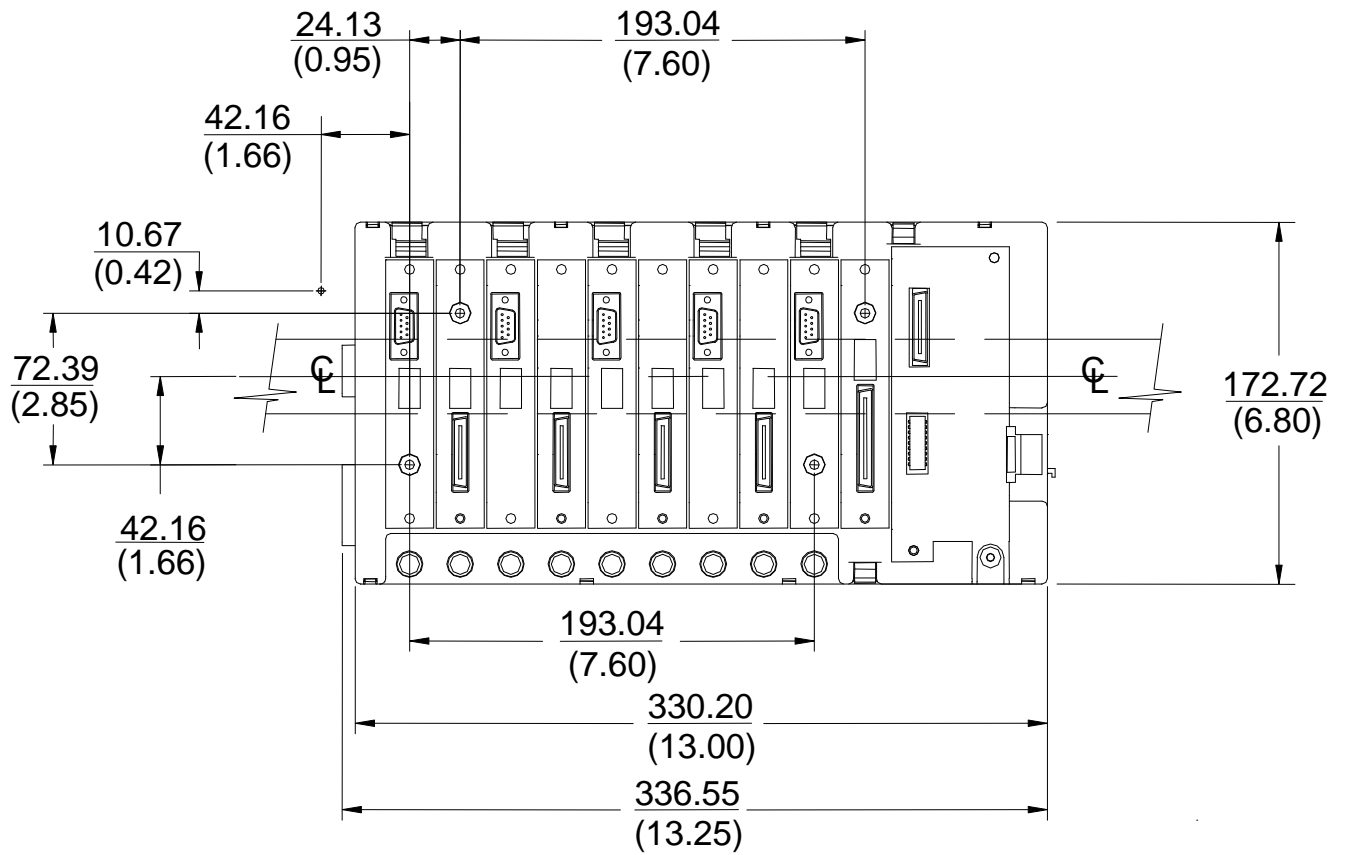


Figure 1: 1701/05 Dimensions

Dimensions are in millimetres (inches)

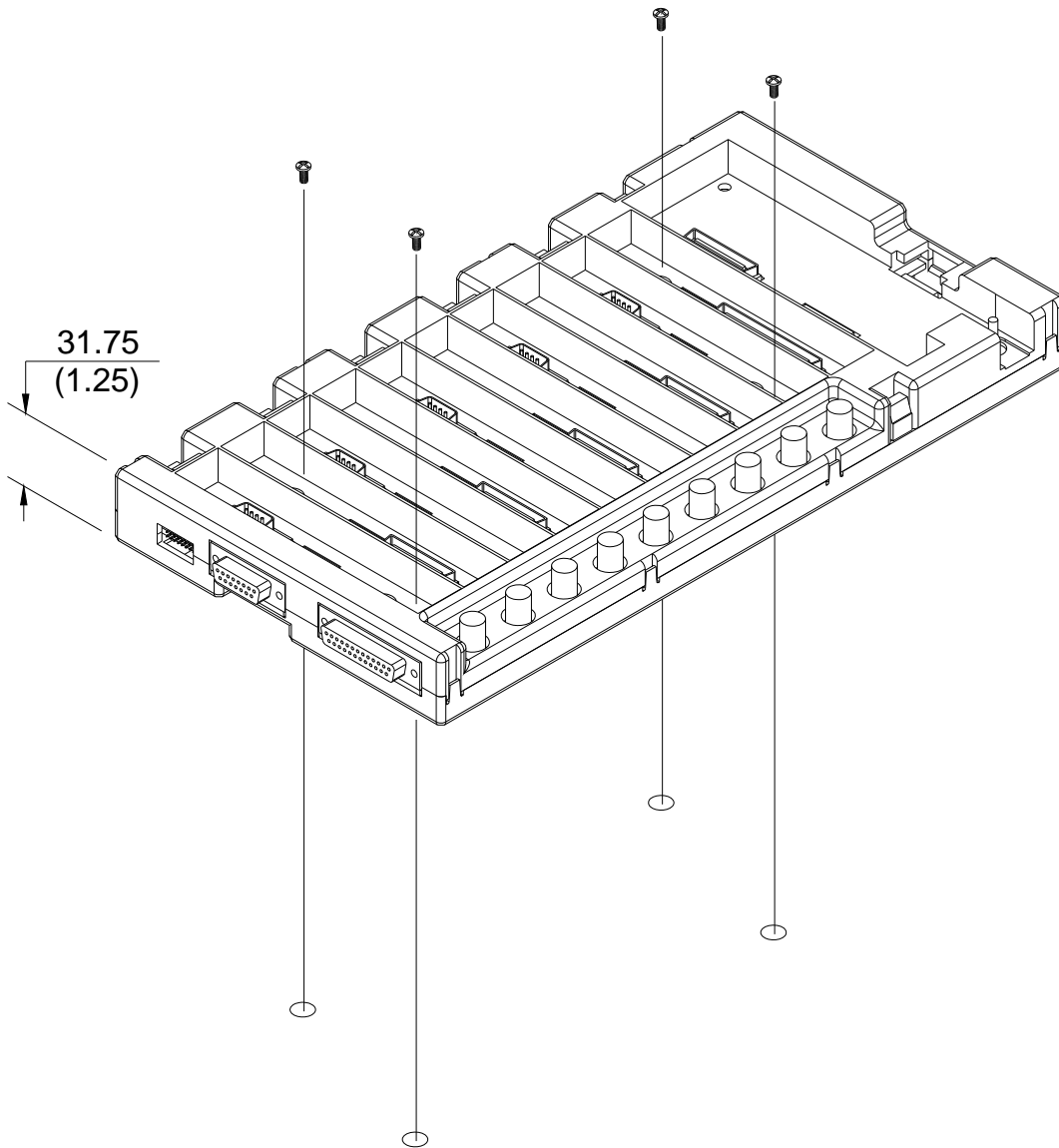


Figure 2: 1701/05 Hole pattern diagram and height dimension

* Denotes a trademark of Bently Nevada, Inc., a wholly owned subsidiary of General Electric Company.

Allen Bradley and Flex are trademarks of Rockwell Automation

© 1999 – 2012 Bently Nevada, Inc. All rights reserved.

Printed in USA. Uncontrolled when transmitted electronically.

1631 Bently Parkway South, Minden, Nevada USA 89423

Phone: 775.782.3611 Fax: 775.215.2873

www.ge-mcs.com/bently