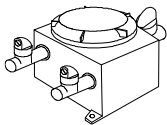
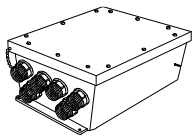
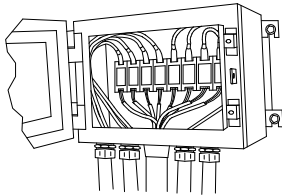


Housings for Proximator* Sensors and Interface Modules

Bently Nevada* Asset Condition Monitoring

Description

Although Proximator* Sensors and interface modules are rugged by design, they are often installed in harsh environments that require an appropriate housing to protect the electrical equipment from damage. In addition, many installations are in hazardous areas, which require a suitable housing for electrical equipment such as the 3300XL Proximator. We offer a variety of housings that protect our products from environmental damage and if applicable, adhere to the strict restrictions for designated hazardous areas. Whether the application requires an explosion-proof housing for a North American installation, ATEX approvals for a Zone 2 installation, or a corrosion resistant fiberglass housing for an offshore installation, we can supply it, complete with the appropriate conduit fittings and custom mounting plates. The following section provides a brief description of each housing product line, followed by the ordering information.



3300 XL Multi-Purpose Housings

The certified Stainless Steel Water-Resistant Housings meet stringent IP66 and Type 4X environmental ratings for protecting enclosed electronic equipment in harsh conditions. The 304/304L stainless steel construction resists moisture, corrosion, and impacts in virtually all installations and may be hosed down for cleaning when necessary. When used with appropriate fittings the Stainless Steel Water Resistant Housings are approved for North American Division 1 and 2 and European Zone 0, 1, and 2 hazardous area applications. However, these are **not** explosion-proof housings. For customers that require a lockable housing, we offer the Weather-Resistant Lockable housing.

Explosion-Proof Housings

When properly installed, the explosion-proof housings are certified for use in the following areas: Class 1, Division 1, Groups B, C, D. Class II, Division 1, Groups E, F, G. Class III, Division 1 and 2. CSA Encl 4.

Note: These housings carry North American explosion-proof certificates only.

Water- and Corrosion-Resistant Housings

The water- and corrosion-resistant fiberglass housings protect Bently Nevada* products from corrosive and wet environments. When properly installed, the fiberglass housings are suitable for outdoor environments because of their resistance to water, dust and corrosion. Fiberglass housings may not be suitable for areas where Radio Frequency Interference (RFI) is present.



imagination at work

Specifications and Ordering Information
Part Number 141599-01
Rev. N (04/10)

3300 XL Multi-Purpose Housing Ordering Information

- These Stainless Steel Water-Resistant Housings are rated for IP66 and Type 4X environmental conditions.
- The **175751** housing can accommodate up to 8 Proximitors in the DIN-mount configuration or 6 panel-mount Proximitors (see Figure 1 through Figure 3).
- The **176467** housing can accommodate up to four Proximitors in the DIN-mount configuration or four panel-mount Proximitors (see Figure 4 through Figure 6).
- Each housing has three removable gland plates to simplify the installation of conduit fittings and cable gland seals.

Housing Rating:

North America: Certified to Type 3S, 4, and 4X ratings per UL File E115376

Europe: Certified to **IP66** waterproof and dust-proof per IP 66 along with the 7 joule high impact mechanical risk test required by IEC standard **IEC/EN 60079-15**.

Housing Rating with Bently Nevada Equipment Inside:

ATEX certificate:

ATEX II 3 G Ex nA II

T4 @ -51 °C to +100 °C

T5 @ -35 °C to +85 °C.

Housing Material:

304 stainless steel

Gasket Material:

Polyurethane

3300 XL Multi-Purpose Housing 12"x12"x6"

175751-AXX-BXX-CXX-DXX

A: Transducer Type Option

- 00** No mounting hardware
- 01** 35mm DIN-rail mount
- 02** 2.00"x2.00" panel mount

Note: Proximitors, Interface Modules, and Velocity-to-Displacement Converters are not included and must be ordered separately.

Application Advisory: Exercise care when specifying system length to avoid having excess coils of cable inside the housing. This excess cable in the housing may cause chafing and premature failure of the cables.

B: Conduit Fitting Option (See Table 1 for Applications)

- 00** Without fittings.
- 01** One brass M32 cable gland seal outlet, six brass M25 cable gland seal inlets.
- 02** One brass M32 cable gland seal outlet, eight brass M25 cable gland seal inlets.
- 03** One aluminum 1¼-11½ NPT conduit outlet, six aluminum ¾-14 NPT conduit inlets, six aluminum ¾-14 to ½-14 NPT reducers.
- 04** One aluminum 1¼-11½ NPT conduit outlet, eight aluminum ¾-14 NPT conduit inlets, eight aluminum ¾-14 to ½-14 NPT reducers.
- 05** One 316 stainless steel 1¼ - 11½ NPT conduit outlet, six 316 stainless steel ¾ -14 NPT conduit inlets, six 303 stainless steel ¾ -14 to ½ -14 NPT reducers.
- 06** One 316 stainless steel 1¼-11½ NPT conduit outlet, eight 316 stainless steel ¾-14 NPT conduit inlets, eight 303 stainless steel ¾-14 to ½-14 NPT reducers.
- 07** One chrome-plated zinc 1¼-11½ NPT conduit outlet, six chrome-plated zinc ¾-14 NPT conduit inlets, six 303 stainless steel ¾-14 to ½-14 NPT reducers.

- 08 One chrome-plated zinc 1¼-11½ NPT conduit outlet, eight chrome-plated zinc ¾-14 NPT conduit inlets, eight 303 stainless steel ¾-14 NPT to ½-14 NPT reducers.

C: Terminal Mounting Block Option

- 00 No terminal blocks
- 01 4 DIN rail terminal blocks
- 02 8 DIN rail terminal blocks
- 03 12 DIN rail terminal blocks
- 04 16 DIN rail terminal blocks
- 05 20 DIN rail terminal blocks
- 06 24 DIN rail terminal blocks
- 07 28 DIN rail terminal blocks
- 08 32 DIN rail terminal blocks
- 21 1 terminal block
- 22 2 terminal blocks
- 23 3 terminal blocks
- 24 4 terminal blocks
- 25 5 terminal blocks
- 26 6 terminal blocks

Note: Each DIN rail terminal block accepts only one wire. The standard terminal blocks each accept four wires. Thus, four DIN rail terminal blocks equal one standard terminal block.

D: Labeling Option

- 00 Part Number Only (No Approvals)
- 01 Zone 2/ IP66
- 02 Intrinsically Safe

3300 XL Multi-Purpose Housing 12"x8"x6"

176467-AXX-BXX-CXX-DXX

A: Transducer Type Option

- 00 No mounting hardware
- 01 35mm DIN-rail mount
- 02 2.00"x2.00" panel mount

Note: Proximity Sensors, Interface Modules, and Velocity-to-Displacement Converters are not included and must be ordered separately.

Application Advisory: Exercise care when specifying system length to avoid having excess coils of cable inside the housing. This excess cable in the housing may cause chafing and premature failure of the cables.

B: Conduit Fitting Option (See Table 1 for Applications)

- 00 Without fittings.
- 09 Four aluminum ¾-14 NPT to ½-14 NPT, Five aluminum ¾-14 NPT, one aluminum 1¼-11½ NPT.
- 10 One brass M32 cable gland outlet, four brass M25 cable gland inlets.
- 11 One 316 stainless steel 1¼-11½ NPT conduit outlet, four 316 stainless steel ¾-14 NPT conduit inlets, four 303 stainless steel ¾-14 to ½-14 NPT reducers.
- 12 One chrome-plated zinc 1¼-11½ NPT conduit outlet, four chrome-plated zinc ¾-14 NPT conduit inlets, four 303 stainless steel ¾-14 to ½-14.

C: Terminal Mounting Block Option

- 00 No terminal blocks
- 01 4 DIN rail terminal blocks
- 02 8 DIN rail terminal blocks
- 03 12 DIN rail terminal blocks
- 04 16 DIN rail terminal blocks
- 21 1 terminal block
- 22 2 terminal blocks
- 23 3 terminal blocks
- 24 4 terminal blocks

Note: Each DIN rail terminal block accepts only one wire. The standard terminal blocks each accept four wires. Thus, four DIN rail terminal blocks equal one standard terminal block.

D: Labeling Option

- 00 Part Number Only (No Approvals)
- 01 Zone 2/ IP66
- 02 Intrinsically Safe

Accessories For 175751, 176467 and 330181

		03818100	
137936-01			AISI 316 stainless steel conduit fitting, ¾ -14NPT
	Brass cable gland seal, 1-¼ NPT X M32	26650-01	
137937-01			AISI 303 stainless steel reducer, ¾-14 to ½ -14 NPT
	Brass cable gland seal, ¾ NPT X M25	26650-03	
03818111			AISI 303 stainless steel reducer, 1¼ -11½ to 1-11½ NPT
	Nickel-plated brass conduit fitting, PG21 x M20	03818102	
03839130			AISI 316 stainless steel conduit fitting, PG21 x M20
	Aluminum conduit fitting, ¾-14 NPT	03818103	
03839132			AISI 316 stainless steel conduit fitting, PG21 x PG11
	Aluminum conduit fitting, 1¼-11½ NPT	03818104	
03850021			AISI 303 stainless steel conduit seal, PG11
	Aluminum reducer, ¾ -14 to ½-14 NPT	03818105	
03813103			AISI 316 stainless steel conduit seal, M20
	Chrome-plated zinc conduit fitting, ¾ -14 NPT	103537-01	
03813105			4-wire terminal mounting block
	Chrome-plated zinc conduit fitting, 1-11½ NPT	01691029	
03813106			DIN-rail terminal strip
	Chrome-plated zinc conduit fitting, 1¼ -11½ NPT	01691028	
03818099			DIN-rail terminal strip cover
	AISI 316 stainless steel conduit fitting, 1¼ -11½ NPT	04490104	
			Conduit seal punch tool

3300 XL Multi-Purpose Housing Dimensional Drawings

Dimensions for all Drawings in millimeters [inches]

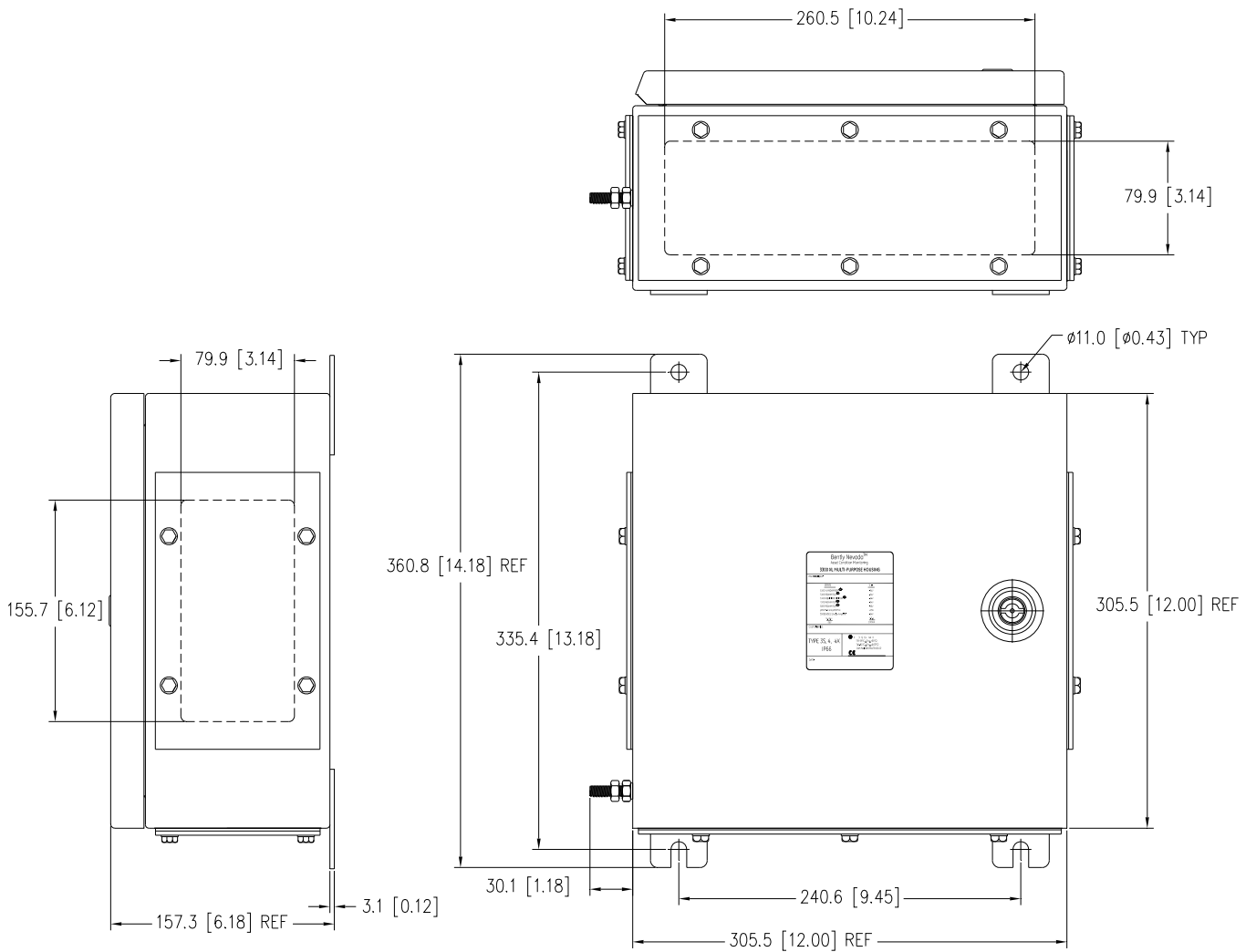


Figure 1: 175751 3300 XL Multi-Purpose Housing Dimensions (12" x 12" x 6")

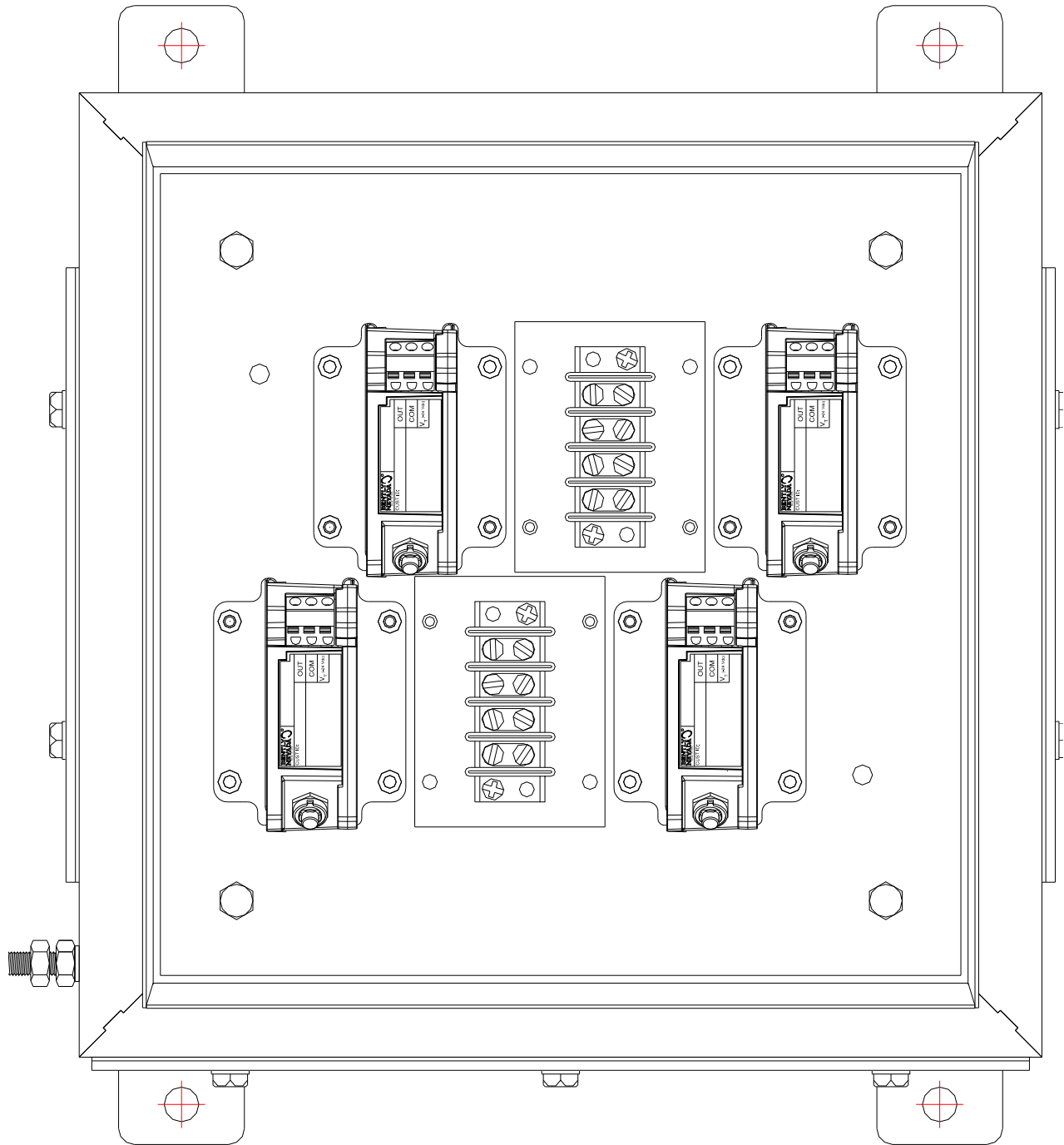


Figure 2: 175751 Panel Mount Orientation

Panel mount Proximitors and Terminal blocks share the same mounting hole pattern; therefore, any combination of 6 Proximitors and/or Terminal Blocks will work with this housing when panel mounting hardware is ordered (-AA option = -02).

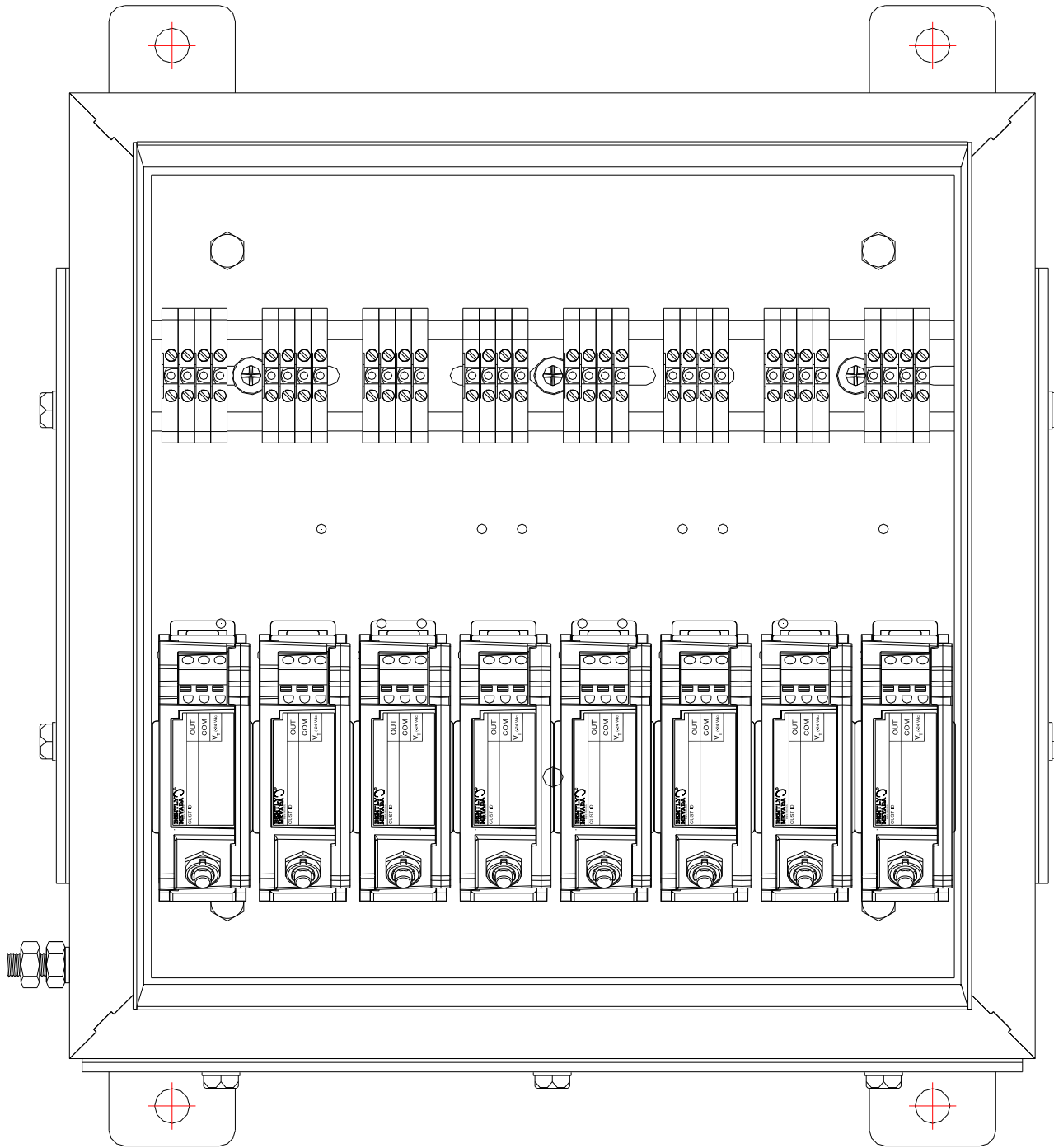


Figure 3: 175751 Sample DIN Mount Orientation

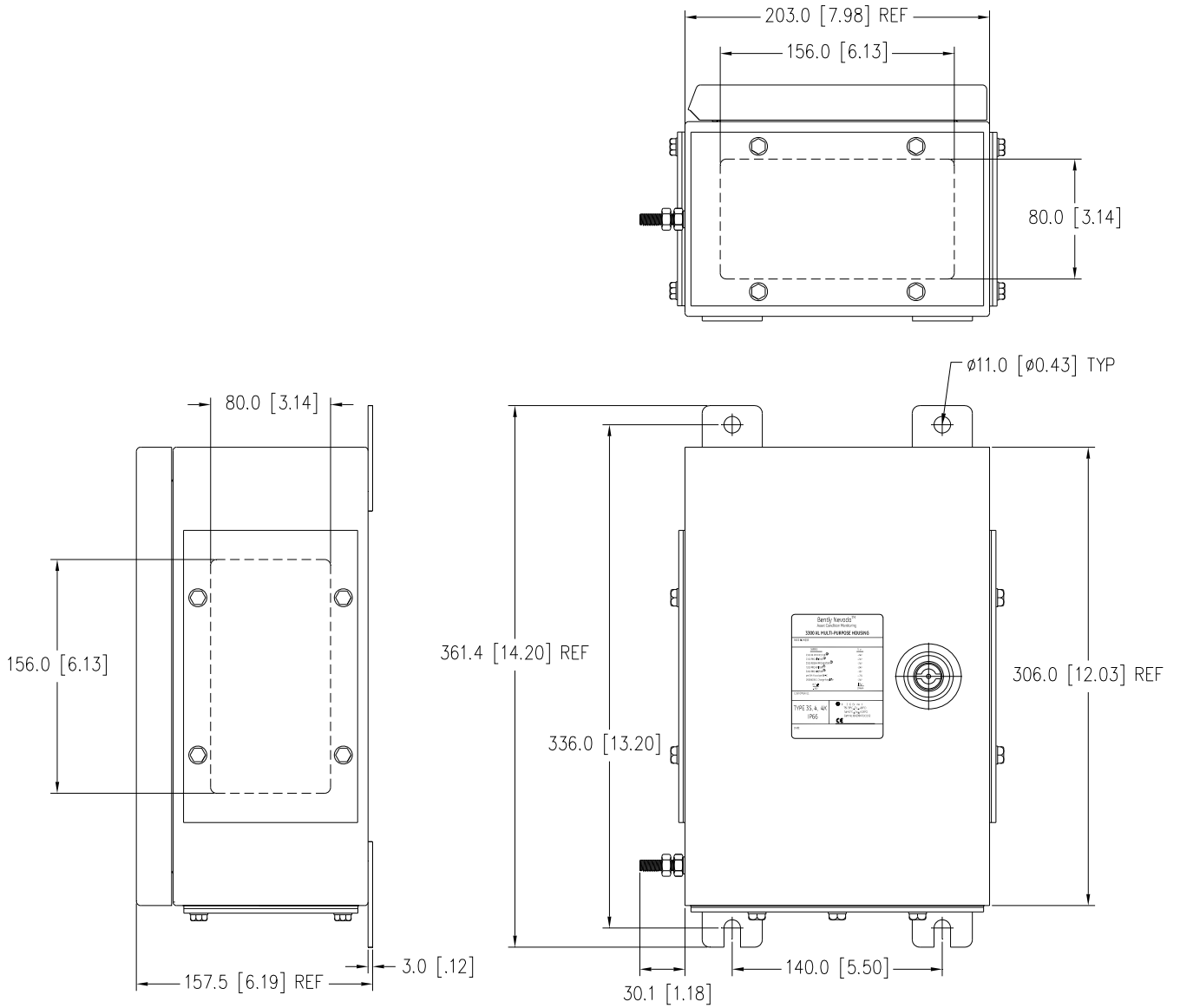


Figure 4: 176467 3300 XL Multi-Purpose Housing Dimensions (12" x 8" x 6")

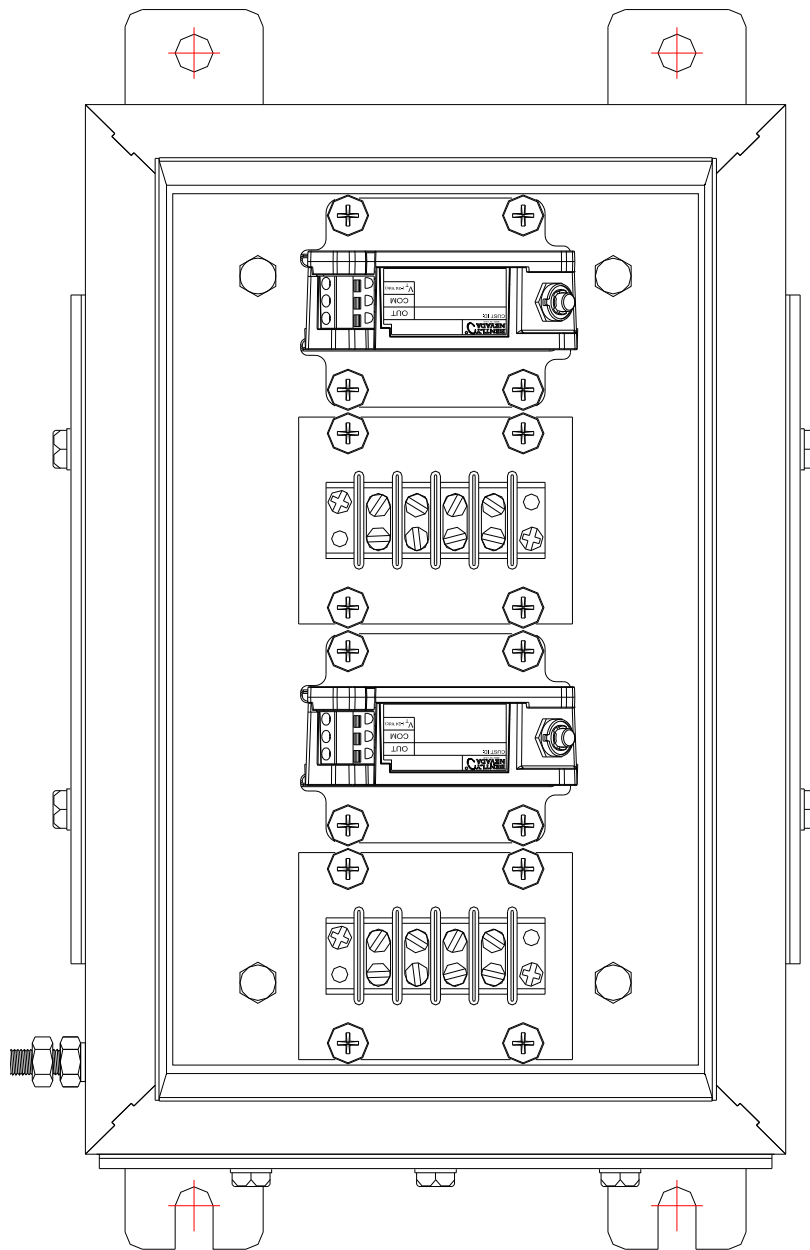


Figure 5: 176467 Panel Mount Orientation

Panel mount Proximitors and Terminal blocks share the same mounting hole pattern; therefore, any combination of 4 Proximitors and/or Terminal Blocks will work with this housing when panel mounting hardware is ordered (-AA option = -02).

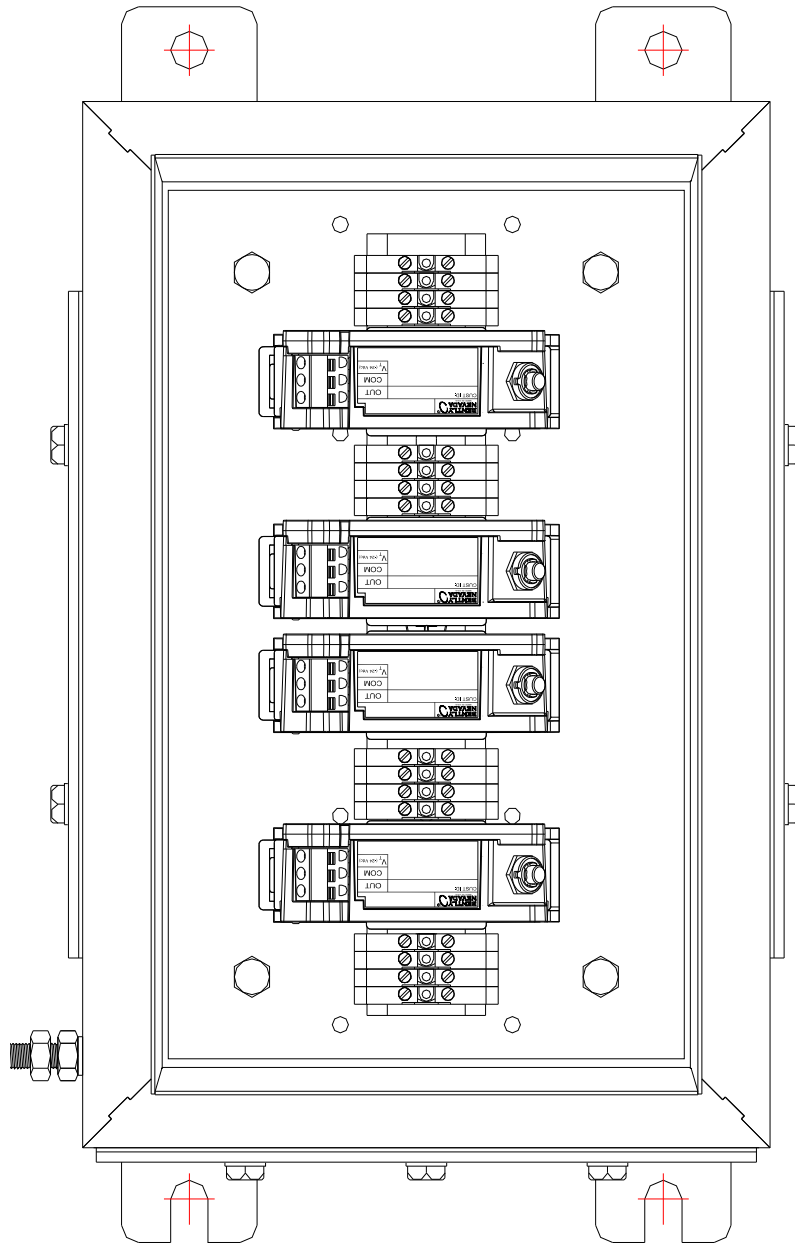


Figure 6: 176467 Sample DIN Mount Orientation

Table 1: Conduit Fitting Applications for 175751, 176467, and 330181

	Aluminum conduit fittings	Brass conduit seals	316 stainless steel conduit fittings	Chrome-plated zinc conduit fittings
Includes a ¼-NPT to ½-NPT reducer	Yes	No	Yes	Yes
Use in IP54 areas	Yes	Yes	Yes	Yes
Use in IP55 to IP66 areas	No	Yes	No	No
Use in CENELEC intrinsically safe hazardous areas	No	Yes	No	No
Type 4 rating	Yes	No	Yes	Yes
Type 4X rating	No	No	Yes	Yes
Use in North America hazardous areas	No	No	Yes	Yes
Use in ammonia environments	No	No	Yes	No

Weather-Resistant Lockable Housing Ordering Information (see Figure 7)

330181-AXX-BXX-CXX-DXX-EXX

The Weather Resistant Lockable Housing is rated for IP54 environmental conditions. This housing can accommodate up to eight 3300 XL Proximitor Sensors in the DIN-mount configuration or six panel-mount Proximitor Sensors. The housing has three removable gland plates to simplify installation of conduit fittings and cable gland seals.

Housing Rating

Europe: certified to the **IP54** waterproof along with the 7-joule high impact mechanical risk test required by IEC standard **IEC/EN 60079-15**.

ATEX II 3 G Ex nA II

T4 @ -51°C to +100°C

T5 @ -35°C to +85°C

Housing Material

304L stainless steel

Gland Plate Gasket Material

Neoprene® rubber

Cover Gasket Material

PORON® urethane

Total System Mass

6.4 kg (14.0 lbm) with standard gland plates but without conduit fittings installed

8.0 kg (17.6 lbm) with standard gland plates and conduit fittings installed

A: Transducer Type Option

- 00** No mounting hardware
- 01** 3300 XL Proximitor Sensors (DIN mount), DIN-rail terminal blocks
- 03** 3300 XL Proximitor Sensors (panel mount)
- 04** 3300 Proximitor Sensors
- 05** 3000 or 7200 Proximitor Sensors, VDCs, and Interface Modules

Note: Proximitor Sensors, Interface Modules, and Velocity-to-Displacement Converters are not included and must be ordered separately.

Application Advisory: Exercise care when specifying system length to avoid having excess coils of cable inside of the housing. This excess cable in the housing may cause chafing and premature failure of the cables.

B: Conduit Fitting Option (See Table 1 for Applications)

- 00** Without fittings.
- 01** One brass M32 cable gland seal outlet, six brass M25 cable gland seal inlets.
- 02** One brass M32 cable gland seal outlet, eight brass M25 cable gland seal inlets.
- 03** One aluminum 1¼ -11½ NPT conduit outlet, six aluminum ¾-14 NPT conduit inlets, six aluminum ¾ -14 to ½ -14 NPT reducers.
- 04** One aluminum 1¼-11½ NPT conduit outlet, eight aluminum ¾-14 NPT conduit inlets, eight aluminum ¾ -14 to ½ -14 NPT reducers.
- 05** One 316 stainless steel 1¼ -11½ NPT conduit outlet, six 316 stainless steel ¾ -14 NPT conduit inlets, six 303 stainless steel ¾ -14 to ½ -14 NPT reducers.
- 06** One 316 stainless steel 1¼ -11½ NPT conduit outlet, eight 316 stainless steel ¾ -14 NPT conduit inlets, eight 303 stainless steel ¾ -14 to ½ -14 NPT reducers.
- 07** One chrome-plated zinc 1¼ -11½ NPT conduit outlet, six chrome-plated zinc ¾ -14 NPT conduit inlets, six 303 stainless steel ¾ -14 to ½ -14 NPT reducers.

- 08** One chrome-plated zinc 1¼ -11½ NPT conduit outlet, eight chrome-plated zinc ¾ -14 NPT conduit inlets, eight 303 stainless steel ¾ -14 NPT to ½ -14 NPT reducers.

C: Gland Plate Thickness

- 01** Standard 2.34 mm (0.092 in)
- 02** 3.05 mm (0.120 in)
- 03** 4.78 mm (0.188 in)
- 04** 6.35 mm (0.250 in)

D: Terminal Mounting Block Option

- 00** No terminal blocks
- 01** 4 DIN rail terminal blocks
- 02** 8 DIN rail terminal blocks
- 03** 12 DIN rail terminal blocks
- 04** 16 DIN rail terminal blocks
- 05** 20 DIN rail terminal blocks
- 06** 24 DIN rail terminal blocks
- 07** 28 DIN rail terminal blocks
- 08** 32 DIN rail terminal blocks
- 21** 1 terminal block
- 22** 2 terminal blocks
- 23** 3 terminal blocks
- 24** 4 terminal blocks
- 25** 5 terminal blocks
- 26** 6 terminal blocks

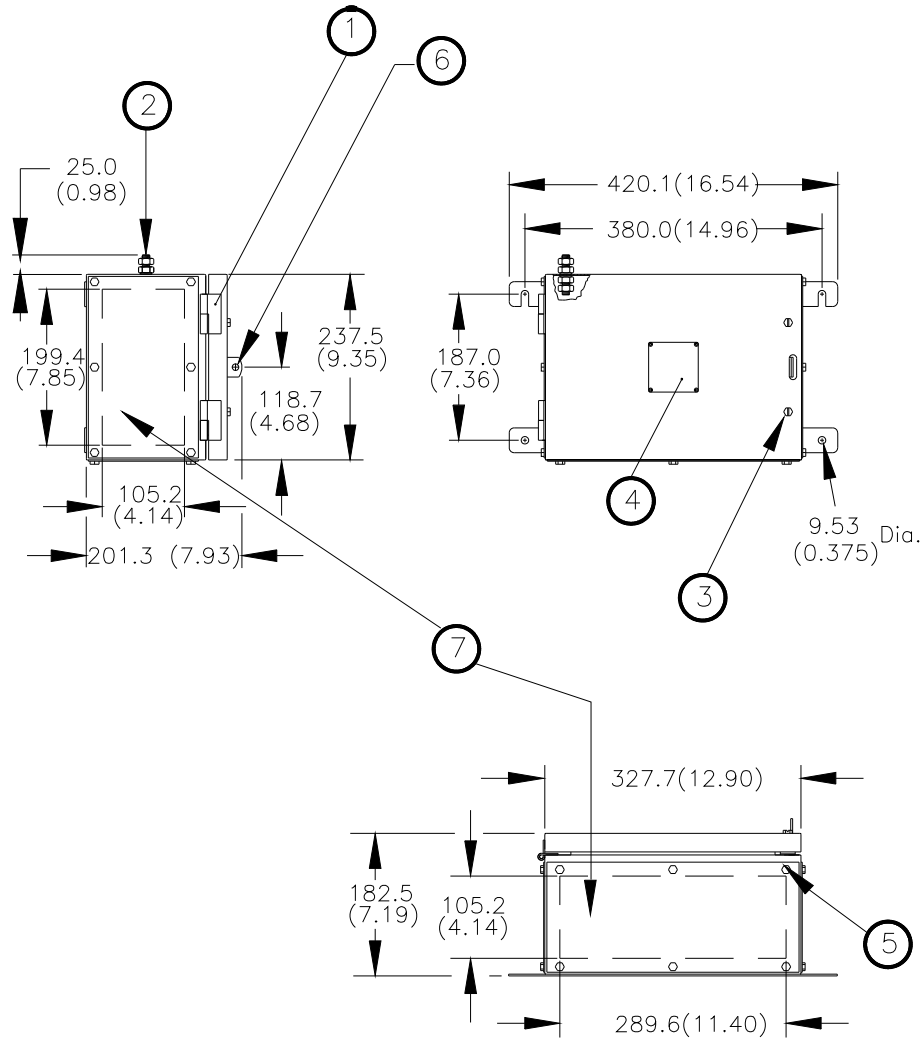
Note: Each DIN rail terminal block accepts only one wire. The standard terminal blocks each accept four wires. Thus, four DIN rail terminal blocks equal one standard terminal block.

E: Labeling Option

- 00** Safe Area (No Approvals)
- 01** Div2/Zone2 (Standard)
- 02** Intrinsically Safe

Weather Resistant Lockable Housing Dimensional Drawing

Dimensions for all Drawings in millimeters (inches)



- (1) Stainless steel slip hinge. Allows cover to be removed from housing
- (2) M10 x 1.5 – 6 g ground stud, stainless steel
- (3) M6 slotted hex head captive fastener, stainless steel
- (4) Approval/ identification label
- (5) M6 x 16 mm hex head bolt, stainless steel
- (6) ϕ 8.33 [0.328] padlock hasp
- (7) Removable gland plate, 3 places

Figure 7: Weather Resistant Lockable Housing Dimensions

Explosion Proof Housing Ordering Information

2-Unit Explosion-Proof Housing (see Figure 8)

CA72341-AXX-BXX

A: Transducer Type Option

- 00 No mounting hardware
- 02 3000 or 7200 Proximity Sensors, VDCs and interface modules
- 03 3300 Proximity Sensors
- 10 3300 XL Proximity Sensors, panel mount

Note: Proximity Sensors, Interface Modules, and Velocity-to-Displacement Converters are not included and must be ordered separately.

Application Advisory: Exercise care when specifying system length to avoid having excess coils of cable inside the housing. This excess cable in the housing may cause chafing and premature failure of the cables.

B: Conduit Fitting Option

- 01 No fittings supplied
- 02 One 1¼ -11½ in NPT outlet fitting, one ¾-14 NPT inlet fitting
- 03 One 1¼ -11½ NPT outlet fitting, two ¾-14 NPT inlet fittings
- 04 One ¾-14 NPT outlet fitting, one ½-14 NPT inlet fitting
- 05 One ¾-14 NPT outlet fitting, two ½-14 NPT inlet fittings

4-Unit Explosion-Proof Housing (see Figure 9)

CA72342-AXX-BXX

A: Transducer Type Option

- 00 No mounting hardware
- 02 3000 or 7200 Proximity Sensors, VDCs and interface modules
- 03 3300 Proximity Sensors
- 10 3300 XL Proximity Sensors, panel mount
- 11 3300 XL Proximity Sensors, DIN mount

Application Advisory: Exercise care when specifying system length to avoid having excess coils of cable inside the housing. This excess cable in the housing may cause chafing and premature failure of the cables.

B: Conduit Fitting Option

- 01 No fittings supplied
- 02 One 1¼ -11½ in NPT outlet fitting, one ¾-14 NPT inlet fitting
- 03 One 1¼ -11½ NPT outlet fitting, two ¾-14 NPT inlet fittings
- 04 One 1¼ -11½ NPT outlet fitting, three ¾-14 NPT inlet fittings
- 05 One 1¼ -11½ NPT outlet fitting, four ¾-14 NPT inlet fittings
- 06 One ¾-14 NPT outlet fitting, one ½-14 NPT inlet fitting
- 07 One ¾-14 NPT outlet fitting, two ½-14 NPT inlet fittings
- 08 One ¾-14 NPT outlet fitting, three ½-14 NPT inlet fittings
- 09 One ¾-14 NPT outlet fitting, four ½-14 NPT inlet fittings

6-Unit Explosion-Proof Housing (see Figure 10)

CA72343-AXX-BXX

A: Transducer Type Option

- 00 No mounting hardware
- 02 3000 or 7200 Proximity Sensors, VDCs and interface modules
- 03 3300 Proximity Sensors
- 14 3300 XL Proximity Sensors, panel mount
- 15 3300 XL Proximity Sensors, DIN mount

Note: Proximity Sensors, Interface Modules, and Velocity-to-Displacement Converters are not included and must be ordered separately.

Application Advisory: Exercise care when specifying system length to avoid having excess coils of cable inside the housing. This excess cable in the housing may cause chafing and premature failure of the cables.

B: Conduit Fitting Option

- 01** No fittings supplied
 - 02** One 1¼ -11½ in NPT outlet fitting, one ¾-14 NPT inlet fitting
 - 03** One 1¼ -11½ NPT outlet fitting, two ¾-14 NPT inlet fittings
 - 04** One 1¼ -11½ NPT outlet fitting, three ¾-14 NPT inlet fitting
 - 05** One 1¼ -11½ NPT outlet fitting, four ¾-14 NPT inlet fittings
 - 06** One 1¼ -11½ NPT outlet fitting, five ¾-14 NPT inlet fitting
 - 07** One 1¼ -11½ NPT outlet fitting, six ¾-14 NPT inlet fittings
 - 08** One ¾-14 NPT outlet fitting, one ½-14 NPT inlet fittings
 - 09** One ¾-14 NPT outlet fitting, two ½-14 NPT inlet fittings
 - 10** One ¾-14 NPT outlet fitting, three ½-14 NPT inlet fittings
 - 11** One ¾-14 NPT outlet fitting, four ½-14 NPT inlet fittings
 - 12** One 1¼ -11½ NPT outlet fitting, five ½-14 NPT inlet fittings
 - 13** One 1¼ -11½ NPT outlet fitting, six ½-14 NPT inlet fittings
-

Hazardous Area Approvals

CSA/NRTL/C:

Class 1

Group D, Class II

Groups E, F, G; Class III;

Enclosure Type 4

Note: Proximity Sensors, Interface Modules, and Velocity-to-Displacement Converters are not included and must be ordered separately.

For further certification and approvals information please visit the following website:

http://www.ge-energy.com/prod_serv/products/oc/en/bently_nevada.htm

Explosion Proof Housing Dimensional Drawings

Dimensions for all Drawings in millimeters (inches)

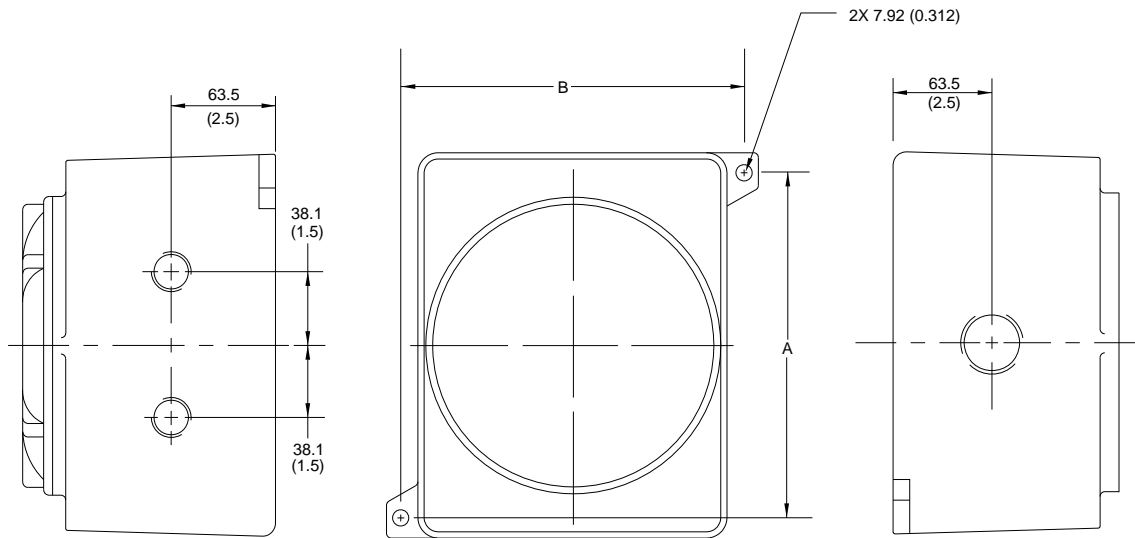


Figure 8: CA72341 2-Unit Explosion-Proof Housing

See Dimensions A and B in Table 2

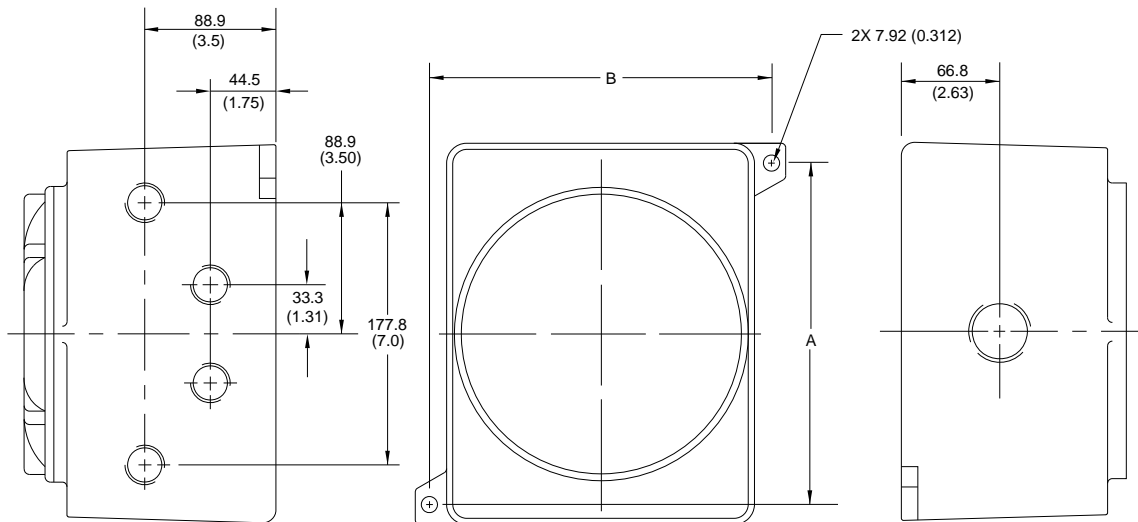
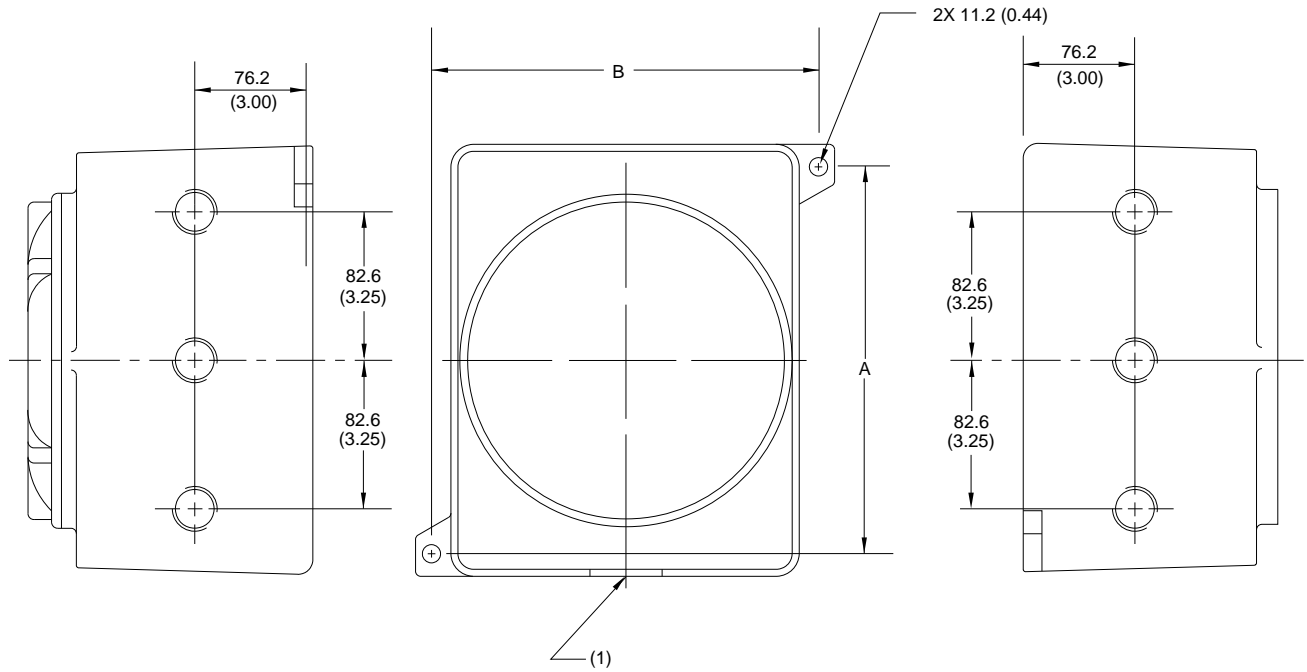


Figure 9: CA72342 4-Unit Explosion-Proof Housing Dimensions

See Dimensions A and B in Table 2



(1) Outlet fitting threaded hole centered 76.3 (3.0) from base

Figure 10: CA72343 6-Unit Explosion-Proof Housing Dimensions

See Dimensions A and B in Table 2

Table 2: Explosion-Proof Housing Dimensions

Part Number	Maximum Proximator Sensor Capacity	Overall Dimensions (with lid)			Mounting Dimensions	
		Length	Width	Height	A	B
CA72341	2	229 (9.00)	181 (7.12)	169 (6.66)	149 (5.87)	206 (8.12)
CA72342	4	264 (10.4)	257 (10.1)	186 (7.31)	232 (9.12)	245 (9.63)
CA72343	6	302 (11.9)	274 (10.8)	183 (7.19)	241 (9.50)	267 (10.5)

Water and Corrosion Resistant Housing

Corrosion Resistant Fiberglass Housing (see Figure 11)

24584-AXX-BXX

A: Transducer Type Option

- 00 No mounting hardware
- 02 3000 or 7200 Proximitors, VDCs and interface modules
- 03 3300 Proximitors
- 10 3300 XL Proximitors, panel mount

Note: Proximitors, Interface Modules, and Velocity-to-Displacement Converters are not included and must be ordered separately.

Application Advisory: Exercise care when specifying system length to avoid having excess coils of cable inside the housing. This excess cable in the housing may cause chafing and premature failure of the cables.

B: Conduit Fitting Option

- 00 Without fittings and mounting holes
- 01 With fittings and reducers
- 02 With cable grips and cable seals

4-Unit Water and Corrosion Resistant Fiberglass Housing (see Figure 11)

24585-AXX-BXX

A: Transducer Type Option

- 00 No mounting hardware
- 02 3000 or 7200 Proximitors, VDCs and interface modules
- 03 3300 Proximitors
- 10 3300 XL Proximitors, panel mount

Note: Proximitors, Interface Modules, and Velocity-to-Displacement Converters are not included and must be ordered separately.

B: Conduit Fitting Option

- 00 Without fittings and mounting holes
- 01 With fittings and reducers
- 02 With cable grips and cable seals

6-Unit Water and Corrosion Resistant Fiberglass Housing (see Figure 11)

24586-AXX-BXX

A: Transducer Type Option

- 00 No mounting hardware
- 02 3000 or 7200 Proximitors, VDCs and interface modules
- 03 3300 Proximitors
- 10 3300 XL Proximitors, panel mount

Note: Proximitors, Interface Modules, and Velocity-to-Displacement Converters are not included and must be ordered separately.

Application Advisory: Exercise care when specifying system length to avoid having excess coils of cable inside the housing. This excess cable in the housing may cause chafing and premature failure of the cables.

B: Conduit Fitting Option

- 00 Without fittings and mounting holes
- 01 With fittings and reducers
- 02 With cable grips and cable seals

Water and Corrosion Resistant Housing Dimensional Drawing

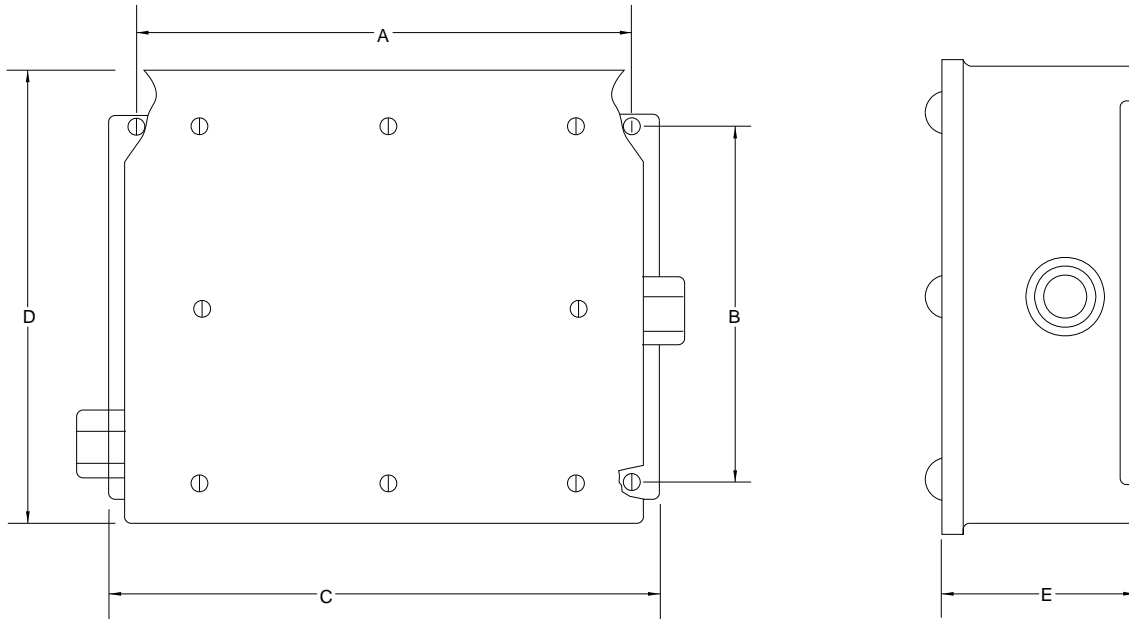


Figure 11: 24584, 24585, and 24586 Fiberglass Housing Dimensions
See Dimensions A, B, C, D and E in Table 3

Table 3: Water- and Corrosion-Resistant Housing Dimensions

Part Number	Maximum Proximity Sensor Capacity	Overall Dimension (with lid)			Mounting Dimensions	
		Length (C)	Width (D)	Height (E)	A	B
24584	2	245 (9.63)	187 (7.38)	122 (4.81)	226 (8.88)	102 (4.00)
24585	4	295.1 (11.62)	238.3 (9.38)	108.0 (4.25)	273.0 (10.75)	152.4 (6.00)
24586	6	345.9 (13.62)	289.1 (11.38)	133.4 (5.25)	323.9 (12.75)	203.2 (8.00)

* Denotes a trademark of Bently Nevada, Inc., a wholly owned subsidiary of General Electric Company.
Sealtite is a trademark of Aldi Corporation.
Neoprene is a trademark of the DuPont Corporation
PORON is a trademark of Rogers Corporation.

© 2000 – 2010 Bently Nevada, Inc. All rights reserved.

Printed in USA. Uncontrolled when transmitted electronically.

1631 Bently Parkway South, Minden, Nevada USA 89423
Phone: 775.782.3611 Fax: 775.215.2873
www.ge-energy.com/bently