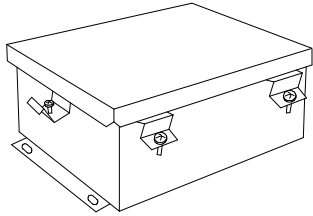


990 and 991 Transmitter Housing

Bently Nevada™ Asset Condition Monitoring



Description

To protect our 990 and 991 Transmitters, we offer two sizes of housings for holding up to four transmitters. The housings protect the transmitters from physical abuse, moisture, and other environmental factors.

The housings are constructed of AISI 304 series stainless steel and are designed to meet NEMA 4 specifications when properly installed.

Ordering Information

2-unit housing

133780 -AXX

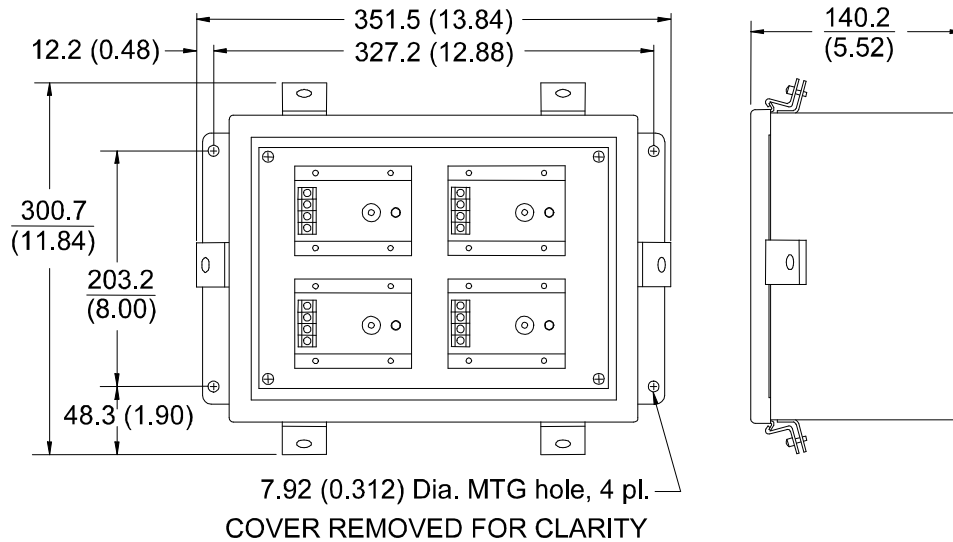
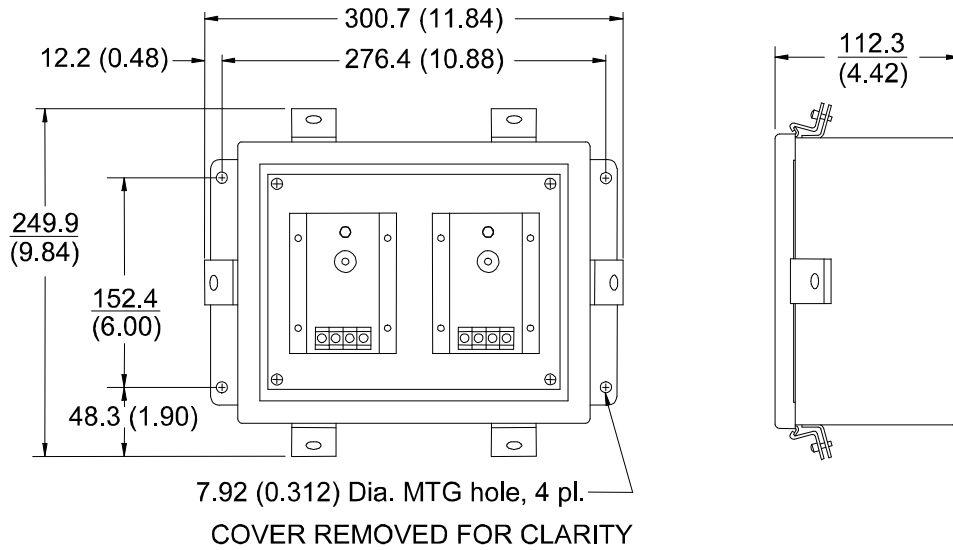
- 00 Without fittings
- 02 With fittings: one 1¼ inch NPT outlet fitting, three ¾ inch NPT inlet fittings.

4-unit housing

133781 - AXX

- 00 Without fittings
- 03 With fittings; one 1¼ inch NPT outlet fitting, four ¾ inch NPT inlet fittings.

Dimensional drawings



Dimensions are in millimetres (inches)

Bently Nevada is a trademark of General Electric Company.

Copyright 2006 Bently Nevada LLC.
 1631 Bently Parkway South, Minden, Nevada USA 89423
 Phone: 775.782.3611 Fax: 775.215.2873
www.ge-energy.com/bently
 All rights reserved.