

# 3300 XL High-Pressure Feedthrough

For 3300 XL 8 mm, 3300 XL 11mm, and 3300 5 mm probes

## Bently Nevada™ Asset Condition Monitoring

---

### Description

**Allows placement of 3300 XL 8 mm probes, 3300 XL 11mm, and 3300 5 mm probes in pressurized machines.**

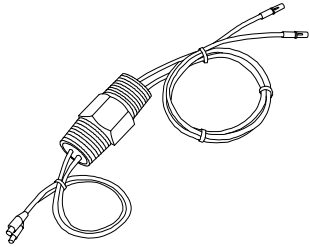
Some rotating machines have significant differential pressure between the inside of the machine case and ambient conditions where the extension cable exits. Since proximity probes are mounted inside the pressurized area, a safe, convenient way to route the probe cable through the case is essential. Depending upon the pressure, a cable seal or High-Pressure (HP) Feedthrough is used to seal pressure inside the machine case and allow probe connections outside the case.

Three models of the 3300 XL 8mm Series High-Pressure Feedthrough are available which can route 1, 2, or 3 cables through the case. One model of the 3300 XL 11mm Series High-Pressure Feedthrough is available which can route 2 cables through the case. These models seal 2.76 MPa (400 psi) inside the machine. They are ordered according to the total length of the Proximito® sensor so that system electrical length is maintained.

When ordering, careful consideration should be given to the type of O-ring specified. The O-ring must be compatible with the type of gas or fluid that the cable will be exposed to in the machine.

In addition, since these feedthroughs are used in place of probe extension cables, the high pressure end is usually supplied with female connectors and the low pressure end with male connectors. This permits compatibility with standard probes and Proximito Sensors. The connectors are corrosion-resistant, gold-plated brass ClickLoc™ connectors. These connectors require only finger-tight torque when mated to 3300 XL Proximito Sensors or ClickLoc connectors on 3300 XL 8 mm probes, 3300 XL 11mm, or 3300 5 mm probes.

We can also offer modified feedthroughs, which can seal up to 6.89 MPa (999 psi). Contact your sales representative for more information on these products.



---

## Specifications

### Operating Temperature:

**Note:** Temperature range depends on O-Ring Option:

**7 9** -51°C to 121°C (-60°F to 250°F).

**8 4** -43°C to 121°C (-45°F to 250°F).

**9 4** -26°C to 121°C (-15°F to 250°F).

### Maximum Pressure Rating:

2.76 MPa (400 psi).

### Minimum Recommended Bend Radius:

25.4 mm (1.00in) with or without armor.

### Fitting Material:

303 stainless steel.

### Caution:

Beware that the feedthrough length ordered must be compatible with the total transducer system length being used.

---

## Ordering Information

### 330161 Single Triaxial HP Feedthrough for 3300 System

#### 330161-AXX-BXX-CXX-DXX-EXX-FXX

#### A: Armor Option

- 0 1** Without armor
- 0 2** With armor at low pressure end
- 0 3** With armor at high pressure end
- 0 4** With armor at both ends

#### B: Dimension 1 Length Option

- 4 0** 4.0 metres
- 4 5** 4.5 metres
- 8 0** 8.0 metres
- 8 5** 8.5 metres

#### C: Dimension 2 Length Option

Order in increments of 0.1 metre.

**Minimum ordering length:** 0.5 metre.

**Maximum ordering length:**

Dimension 1 (B option) minus 0.5 metre.

#### D: O-Ring Material Option

- 7 9** Ethylene propylene, for exposure to ammonium hydroxide, carbon dioxide, chlorine, nitrogen, gaseous oxygen and steam
- 8 4** Neoprene, for exposure to R-12 or R-134A refrigerants
- 9 4** Fluorocarbon, for exposure to butane, fuel oil, natural gas, petroleum oil, and turbine oil.

#### E: High Pressure End Connector Option

- 0 0** Without connector
- 0 1** With female miniature coaxial connector
- 0 2** With male miniature coaxial connector

**Note:** For proper connection, the connector on the probe side must be female and the connector on the Proximitor Sensor side must be male.

#### F: Low Pressure End Connector Option

- 0 0** Without connector
- 0 1** With female miniature coaxial connector
- 0 2** With male miniature coaxial connector

**Note:** For proper connection, the connector on the probe side must be female and the connector on the Proximitor Sensor side must be male.

---

### 330162 Dual Triaxial HP Feedthrough for 3300 System

#### 330162-AXX-BXX-CXX-DXX-EXX-FXX-GXX-HXX

#### A: Armor Option

- 0 1** Without armor
- 0 2** With armor at low pressure end
- 0 3** With armor at high pressure end
- 0 4** With armor at both ends

#### B: Dimension 1 Length Option

- 4 0** 4.0 metres
- 4 5** 4.5 metres

- 8 0** 8.0 metres  
**8 5** 8.5 metres
- C:** Dimension 2 Length Option  
**4 0** 4.0 metres  
**4 5** 4.5 metres  
**8 0** 8.0 metres  
**8 5** 8.5 metres
- D:** Dimension 3 Length Option  
 Order in increments of 0.1 metre.  
**Minimum ordering length:** 0.5 metre.  
**Maximum ordering length:** Dimension 1 (B option) minus 0.5 metre.
- E:** Dimension 4 Length Option  
 Order in increments of 0.1 metre.  
**Minimum ordering length:** 0.5 metre.  
**Maximum ordering length:** Dimension 2 (C option) minus 0.5 metre.
- F:** O-Ring Material Option  
**7 9** Ethylene propylene, for exposure to ammonium hydroxide, carbon dioxide, chlorine, nitrogen, gaseous oxygen and steam  
**8 4** Neoprene, for exposure to R-12 or R-134A refrigerants  
**9 4** Fluorocarbon, for exposure to butane, fuel oil, natural gas, petroleum oil, and turbine oil.
- G:** High Pressure End Connector Option  
**0 0** Without connector  
**0 1** With female miniature coaxial connector  
**0 2** With male miniature coaxial connector  
**Note:** For proper connection, the connector on the probe side must be female and the connector on the Proximator Sensor side must be male.
- H:** Low Pressure End Connector Option  
**0 0** Without connector  
**0 1** With female miniature coaxial connector  
**0 2** With male miniature coaxial connector  
**Note:** For proper connection, the connector on the probe side must be female and the

connector on the Proximator Sensor side must be male.

---

**330163 Triple Triaxial HP Feedthrough for 3300 System**  
**330163-AXX-BXX-CXX-DXX-EXX-FXX-GXX-HXX-IXX-JXX**

- A:** Armor Option  
**0 1** Without armor  
**0 2** With armor at low pressure end  
**0 3** With armor at high pressure end  
**0 4** With armor at both ends
- B:** Dimension 1 Length Option  
**4 0** 4.0 metres  
**4 5** 4.5 metres  
**8 0** 8.0 metres  
**8 5** 8.5 metres
- C:** Dimension 2 Length Option  
**4 0** 4.0 metres  
**4 5** 4.5 metres  
**8 0** 8.0 metres  
**8 5** 8.5 metres
- D:** Dimension 3 Length Option  
**4 0** 4.0 metres  
**4 5** 4.5 metres  
**8 0** 8.0 metres  
**8 5** 8.5 metres
- E:** Dimension 4 Length Option  
 Order in increments of 0.1 metre.  
**Minimum ordering length:** 0.5 metre.  
**Maximum ordering length:** Dimension 1 (B option) minus 0.5 metre.
- F:** Dimension 5 Length Option  
 Order in increments of 0.1 metre.  
**Minimum ordering length:** 0.5 metre.  
**Maximum ordering length:** Dimension 2 (C option) minus 0.5 metre.
- G:** Dimension 6 Length Option  
 Order in increments of 0.1 metre.  
**Minimum ordering length:** 0.5 metre.  
**Maximum ordering length:** Dimension 3 (D option) minus 0.5 metre.

**H:** O-Ring Material Option

- 7 9** Ethylene propylene, for exposure to ammonium hydroxide, carbon dioxide, chlorine, nitrogen, gaseous oxygen and steam
- 8 4** Neoprene, for exposure to R-12 or R-134A refrigerants
- 9 4** Fluorocarbon, for exposure to butane, fuel oil, natural gas, petroleum oil, and turbine oil.

**I:** High Pressure End Connector Option

- 0 0** Without connector
  - 0 1** With female miniature coaxial connector
  - 0 2** With male miniature coaxial connector
- Note:** For proper connection, the connector on the probe side must be female and the connector on the Proximitor Sensor side must be male.

**J:** Low Pressure End Connector Option

- 0 0** Without connector
  - 0 1** With female miniature coaxial connector
  - 0 2** With male miniature coaxial connector
- Note:** For proper connection, the connector on the probe side must be female and the connector on the Proximitor Sensor side must be male.

---

**330762 Dual Triaxial HP Feedthrough for 3300 XL 11mm System**

**330762-AXX-BXX-CXX-DXX-EXX-FXX-GXX-HXX**

**A:** Armor Option

- 0 1** Without armor
- 0 2** With armor at low pressure end
- 0 3** With armor at high pressure end
- 0 4** With armor at both ends

**B:** Dimension 1 Length Option

- 4 0** 4.0 metres
- 8 0** 8.0 metres

**C:** Dimension 2 Length Option

- 4 0** 4.0 metres
- 8 0** 8.0 metres

**D:** Dimension 3 Length Option

- Order in increments of 0.1 metre.
- Minimum ordering length:** 0.5 metre.
- Maximum ordering length:** Dimension 1 (B option) minus 0.5 metre.

**E:** Dimension 4 Length Option

- Order in increments of 0.1 metre.
- Minimum ordering length:** 0.5 metre.
- Maximum ordering length:** Dimension 2 (C option) minus 0.5 metre.

**F:** O-Ring Material Option

- 7 9** Ethylene propylene, for exposure to ammonium hydroxide, carbon dioxide, chlorine, nitrogen, gaseous oxygen and steam
- 8 4** Neoprene, for exposure to R-12 or R-134A refrigerants
- 9 4** Fluorocarbon, for exposure to butane, fuel oil, natural gas, petroleum oil, and turbine oil.

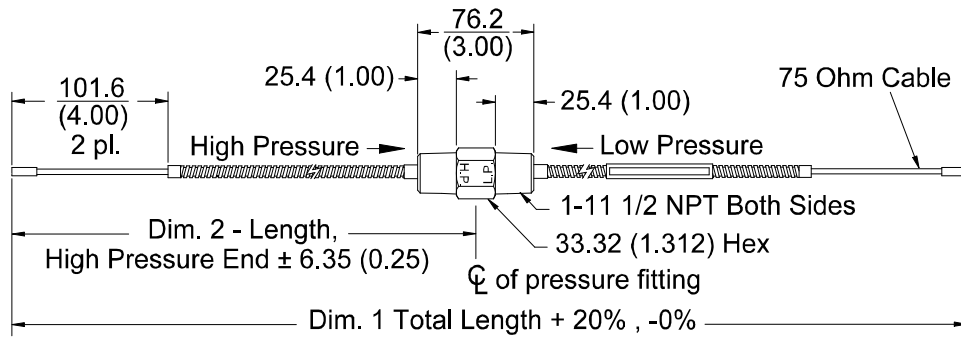
**G:** High Pressure End Connector Option

- 0 0** Without connector
  - 0 1** With female miniature coaxial connector
  - 0 2** With male miniature coaxial connector
- Note:** For proper connection, the connector on the probe side must be female and the connector on the Proximitor Sensor side must be male.

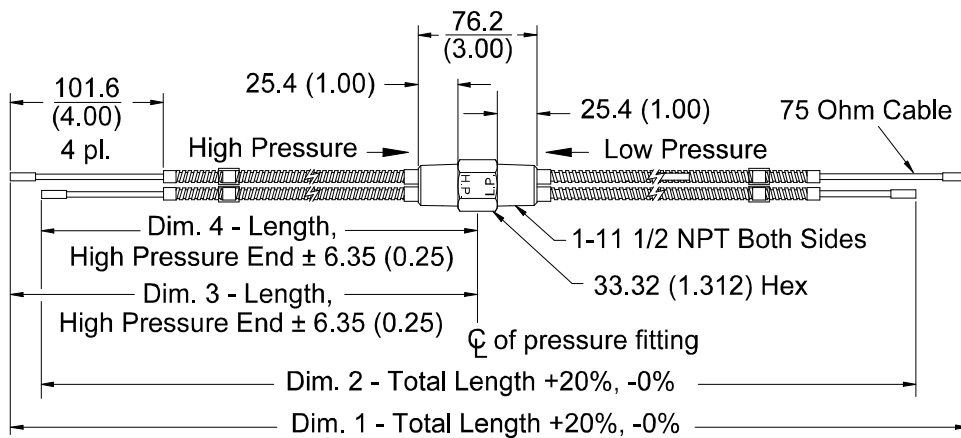
**H:** Low Pressure End Connector Option

- 0 0** Without connector
  - 0 1** With female miniature coaxial connector
  - 0 2** With male miniature coaxial connector
- Note:** For proper connection, the connector on the probe side must be female and the connector on the Proximitor Sensor side must be male.

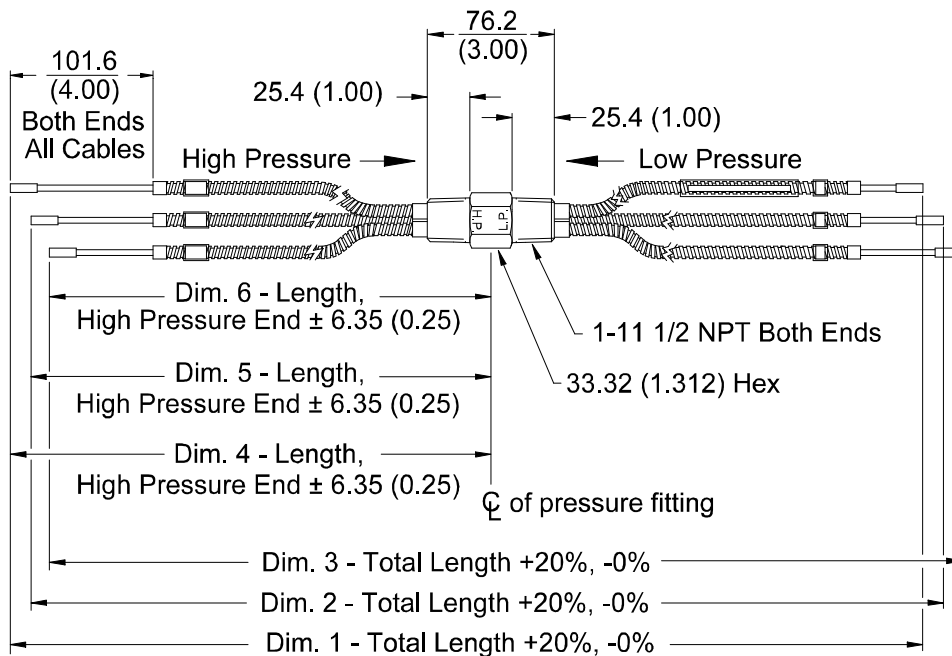
## Dimensional drawings



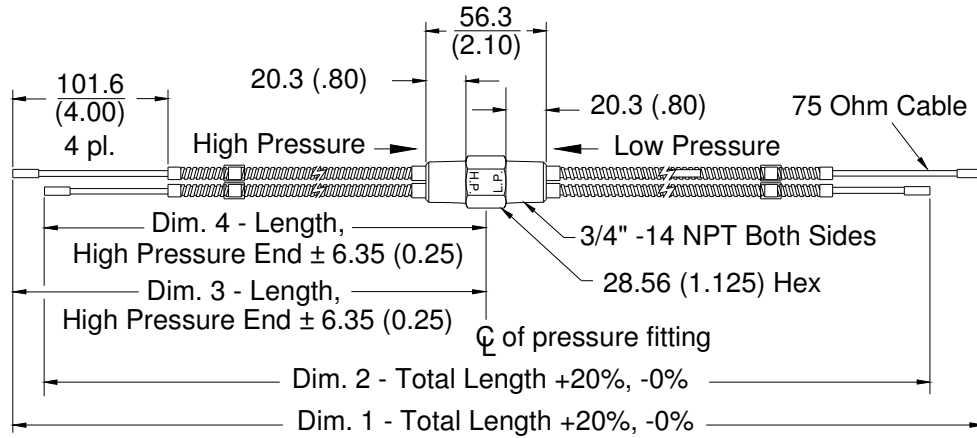
**Figure 1: Part Number 330161  
Single Feedthrough**  
Dimensions are in millimetres (inches)



**Figure 2: Part Number 330162  
Dual Feedthrough**  
Dimensions are in millimetres (inches)



**Figure 3: Part Number 330163**  
**Triple Feedthrough**  
 Dimensions are in millimetres (inches)



**Figure 4: Part Number 330762**  
**Dual Feedthrough**  
**3300 XL 11mm System**  
 Dimensions are in millimetres (inches)

Bently Nevada, Proximitor and ClickLoc are trademarks of General Electric Company.  
 Tefzel® is a registered trademark of E.I. DuPont Company

Copyright 2000. Bently Nevada LLC.  
 1631 Bently Parkway South, Minden, Nevada USA 89423  
 Phone: 775.782.3611 Fax: 775.215.2873`

[www.ge-energy.com/bently](http://www.ge-energy.com/bently)

All rights reserved.