

# 21128, CA21128, BA42608 Velocity Transducer Housings

Bently Nevada™ Asset Condition Monitoring

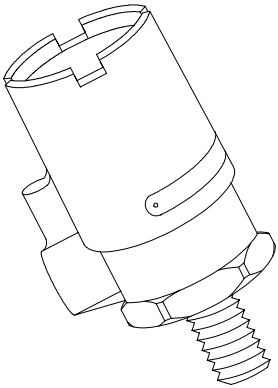
---

## Description

Velocity Transducer Housings protect velocity sensors from damage caused by hose-directed water, corrosion, physical abuse, or other adverse environmental conditions.

Constructed of 303 stainless steel, these housings are designed to meet NEMA 4X and IP65 requirements when properly installed.

The 21128 housing is preferred for most non-hazardous environmental conditions. The CA21128 is the explosion-proof version that is CSA certified for use in Classes I, II, and III, Division 1, Groups B,C,D,E,F, and G. It must be ordered and shipped with a CSA approved velocity sensor installed in the assembly. The BA42608 housing is used for BASEEFA-approved installations where compliance with British Standard 5345 is necessary. It provides the environmental and physical protection needed to comply with the IP65 rating defined in IEC standard 144.



imagination at work

Specifications and Ordering Information  
Part Number 141628-01  
Rev. D (06/09)

Page 1 of 4

---

## Specifications

### Physical

#### Outlet Port Size:

1/2-in NPT.

#### Internal Mounting Thread

#### 21128 and CA21128:

1/2-in 20 UNF.

#### BA42608:

5/8-in 18 UNF-2B.

#### Weight:

1.6 kg (3.55 lb) without velocity sensor or fittings.

---

### Environmental Limits

#### Temperature rating:

-29°C to +121°C (-20 °F to +250°F)

#### Moisture:

Resistant to moisture and corrosion but is not submersible.

#### O-Ring material:

Neoprene

---

## Ordering Information

### Water and Corrosion-Resistant Velocity Transducer Housing

#### 21128-AXX-BXX

**Note:** Compatible with all Bently Nevada velocity sensors having 1/2-in 20 UNF mounting threads and a top mount connector or equivalent, except for the Velomitor CT.

#### A: Mounting Thread Option

- 01** Unthreaded boss, 28.5 mm (1.125 in) diameter
- 02** 3/4-in 14 NPT
- 03** 1/2-in 14 NPT
- 04** 1/2-in 14 BSP (G 1/2-in)

#### B: Cable Exit Fitting Option

- 01** 1/2-in NPT plug
- 02** 1/2-in NPT, explosion-proof fitting
- 03** 1/2-in NPT, explosion-proof and cable grip fittings

---

### Explosion-proof velocity housing including transducer

#### CA21128-AXX-BXX-CXX-DXX

**Note:** B00 Transducer Mounting Angle/Minimum Operating Frequency option is applicable to A00 and A01 Transducer Type Options. The others are applicable to the A04 Transducer Type Option.

#### A: Transducer Type Option

- 00** No Transducer
- 01** 330500 Velomitor® velocity sensor, data sheet 141632-01
- 04** 9200 Seismoprobe velocity sensor, data sheet 141626-01

#### B: Transducer Mounting Angle/Minimum Operating Frequency Option

- 00** No option
- 31** 0 ±2.5, 4.5 Hz (270 cpm)
- 32** 45 ±2.5, 4.5 Hz (270 cpm)
- 33** 90 ±2.5, 4.5 Hz (270 cpm)
- 36** 0 ±100, 10 Hz (600 cpm)
- 39** 0 ±180, 15 Hz (900 cpm)

#### C: Mounting Thread Option

- 01** Unthreaded boss, 28.5 mm (1.125 in) diameter
- 02** 3/4-in 14 NPT
- 03** 1/2-in 14 NPT
- 04** 1/2-in 14 BSP (G 1/2-in)

#### D: Cable Exit Fitting Option

- 01** 1/2-in NPT plug
- 02** 1/2-in NPT, explosion-proof fitting
- 03** 1/2-in NPT, explosion-proof and cable grip fittings

---

### IP65 Water and Dust-Resistant Velocity Transducer Housing

#### BA42608-AXX-BXX

**Note:** Requires a BASEEFA-approved velocity sensor with an isolator having 5/8-in 18 UNF-2B male threads and a top mount terminal strip.

#### A: Mounting Thread Option

- 01** Unthreaded boss, 28.5 mm (1.125 in) diameter
- 02** 3/4-in 14 NPT
- 03** 1/2-in 14 NPT
- 04** 1/2-in 14 BSP (G 1/2-in)

---

Specifications and Ordering Information  
Part Number 141628-01  
Rev. D (06/09)

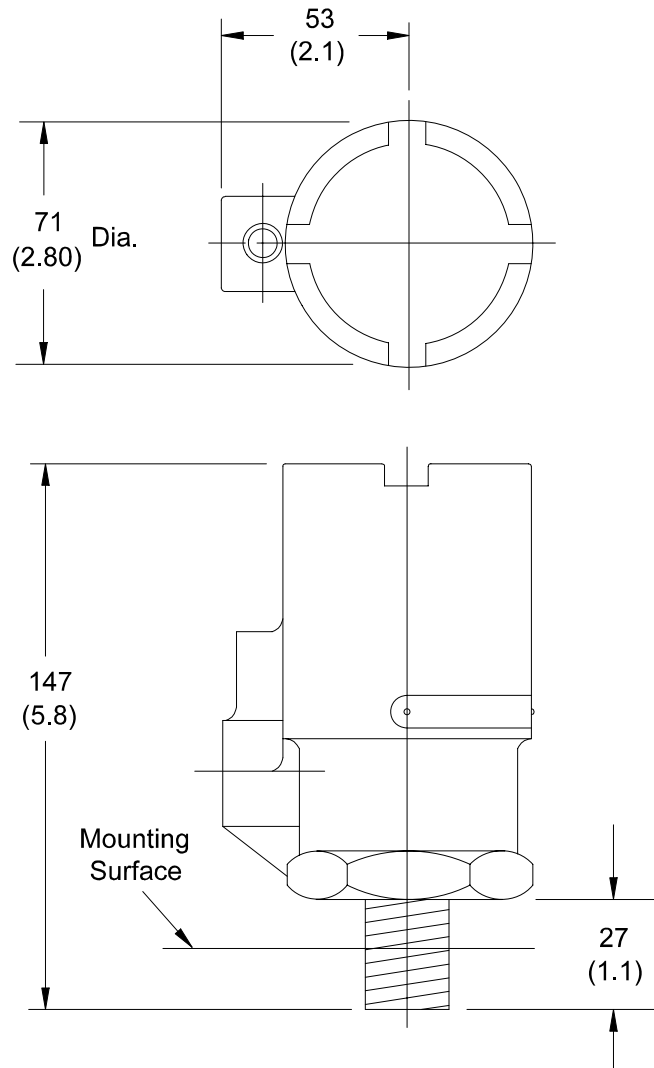
**B:** Cable Exit Fitting Option

- 01** 1/2-in NPT plug
- 02** 1/2-in NPT, explosion-proof fitting

- 03** 1/2-in NPT, explosion-proof and cable grip fittings

---

## Dimensional Drawing



**Figure 1: Velocity Transducer Housing**  
Dimensions are in millimetres (inches)

Bently Nevada and Velomitor are trademarks of General Electric Company.  
Neoprene is a trademark of the DuPont Corporation.

Copyright 1999. Bently Nevada LLC.  
1631 Bently Parkway South, Minden, Nevada USA 89423  
Phone: 775.782.3611 Fax: 775.215.2873  
[www.ge-energy.com/bently](http://www.ge-energy.com/bently)  
All rights reserved.