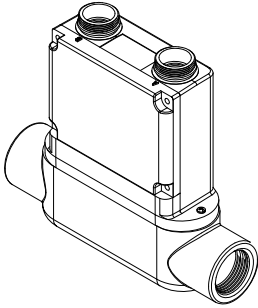


200135 Dual Seal Leak flexiTIM* Module and 200136 Seal Leak Detection Transducer

Bently Nevada* Asset Condition Monitoring



Specifications

**Radiated
Susceptibility:**

EN 61000-4-3 (1996), Criteria A.

**Conducted
Susceptibility:**

ENV 50141 (1993), Criteria A.

**Electrical Fast
Transient:**

EN 61000-4-4 (1995), Criteria A.

Magnetic Field:

EN 61000-4-8 (1994), Criteria A.

Hazardous Area Approvals

CSA/C/US

Class I, Groups A, B, C and D

Class II, Groups E, F and G

Class III

T4 @ Ta = 100 °C

Enclosure Type 4

Ex ia IIC

Class I, Zone 0

Enclosure Type 4

Ex nA IIC

Class I, Zone 2

Class I, Div 2, Groups A, B, C, D

T4 @ Ta = 100 °C

Enclosure Type 4

ATEX

II I G

EEx ia IIC T4

Environmental Limits

Humidity:

100% condensing on exposed surfaces.

Condensation on connector is not permitted.

Enclosure:

Designed to meet IP66

Operating Temperature:

Dependent upon O-Ring Material

Fluorocarbon: -18 °C to 149 °C (0 °F to 300 °F)

Ethylene Propylene: -18 °C to 121 °C (0 °F to 250 °F)

Pressure Media:

Fluids compatible with 17-7 PH cond C stainless steel, 304 stainless steel, and either Fluorocarbon or Ethylene Propylene, depending on O-Ring Material option (common applications shown below)

Fluorocarbon:

Molten sulfur, propane, ethane, naphtha, butylene, propylene, sulfuric acid, butane, fuel oil, natural gas, petroleum oil, and turbine oil

Ethylene Propylene:

Hydrogen sulfide, amine, caustic soda, MEA, ammonium hydroxide, carbon dioxide, chlorine, nitrogen, gaseous oxygen and steam

Ordering Information

200135 Dual Seal Leak flexiTIM module

(All conduit bodies have 1-inch hubs)

200135-AXX-BXX-CXX-DXX-EXX

A: Conduit body style
00 No conduit body

01 Appleton® Style C body, Malleable Iron
02 Appleton® Style E body, Malleable Iron
03 Appleton® Style C body, Aluminum
04 Appleton® Style E body, Aluminum
05 Weatherproof housing mount
B: Channel A Length and Measurement
50 5 Metre, 0 to 2.1 bar (0 to 30 psig)

C: Channel B Length and Measurement
50 5 Metre, 0 to 2.1 bar (0 to 30 psig)

D: Supplied Fitting Type
Note: Choose identical fitting options for flexiTIM Module and Transducer. In order to protect the flexiTIM Module, choose Cable seal option unless conduit is run from the Transducer to the flexiTIM Module.

01 2 Cable Seal Adapters
02 2 Seal-Tite Conduit Adapters
03 1 Conduit and 1 Cable Seal Adapter
04 1 Cap and 1 Cable Seal Adapter
05 1 Cap and 1 Conduit Adapter
06 2 Caps

E: Approvals

00 CSA, Class 1 DIV 2, no barriers
05 Multi Approva
Note: Verify availability with your local Bently Nevada representative before ordering.

200136 Seal Leak Detection Transducer

200136-AXX-BXX-CXX-DXX-EXX

A: Pressure
03 0 to 2.1 bar (0 to 30 psig)

B: Integral Cable Length
50 5 Metre

C: Front Mounting Thread
01 ¼ NPT

D: O-Ring Material
Note: When ordering, careful consideration should be given to the type of O-ring specified. The O-ring must be compatible with the type of gas or fluid that the transducer will be exposed to in the pressure media. Contact your local Bently Nevada representative for additional assistance.

01 Fluorocarbon

02 Ethylene Propylene

E: Supplied Fitting Option

Note: Choose identical fitting options for flexiTIM Module and Transducer. In order to protect the flexiTIM Module, choose Cable seal option unless conduit is run from the Transducer to the flexiTIM Module.

- 01 Cable Seal Without Armor
- 02 Seal-Tite Conduit
- 03 Cable Seal With Armor

Accessories

126709-01

Trendmaster 2000 Installation Guide (flexiTIM installation guide is included)

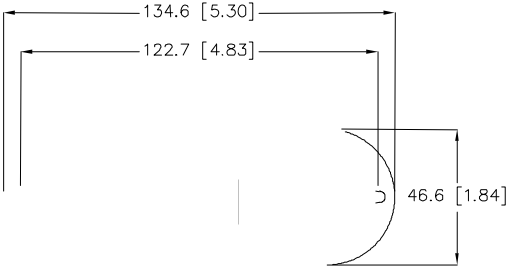
137230-01

FlexiTIM installation guide

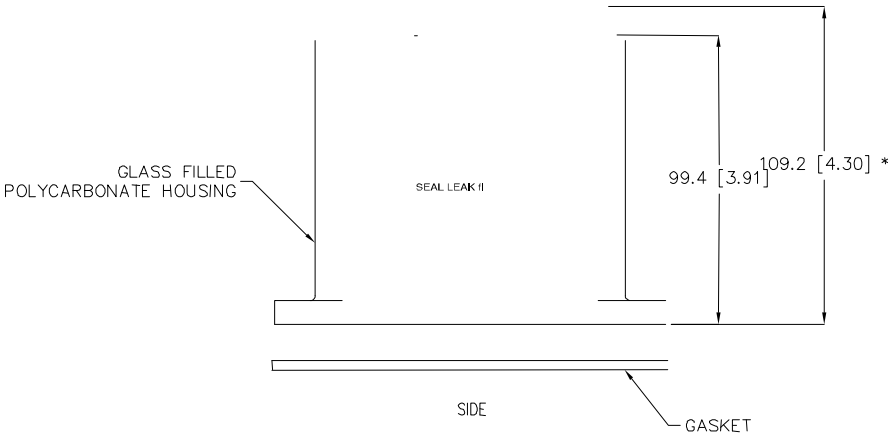
01620085

Extra terminal plugs for SPA line connection. Three terminal plugs provided with each flexiTIM module

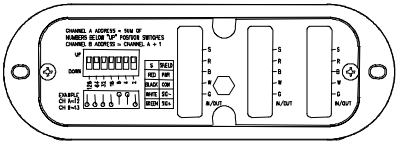
Graphs and Figures



1-20 UNEF-2A THREAD

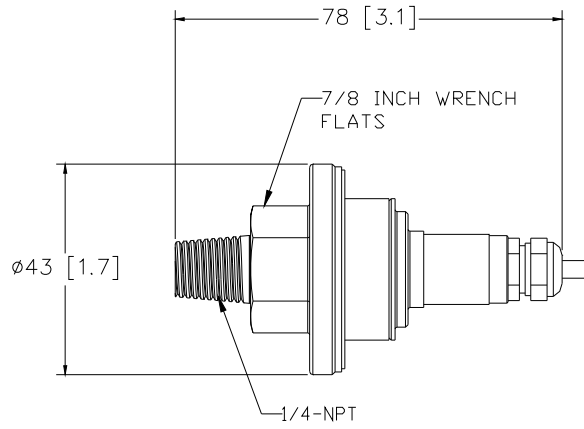


* ALLOW 178mm (7in) FOR TOTAL HEIGHT WITH CABLE SEAL AND CABLE BEND OR 305mm (12in) FOR TOTAL HEIGHT WITH SEALTITE CONDUIT ADAPTER AND CONDUIT BEND.

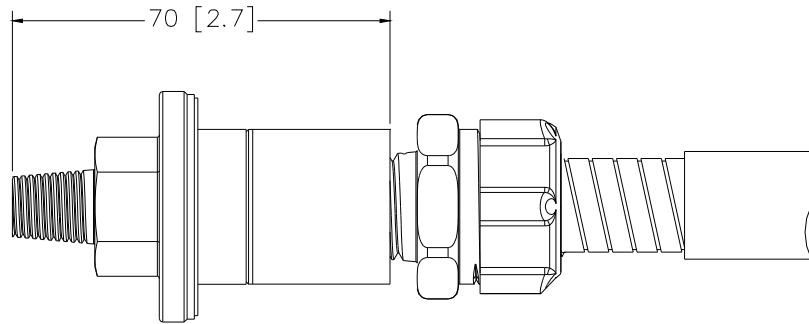


BOTTOM

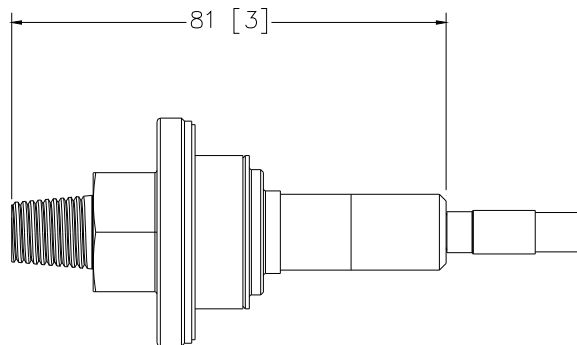
DIMENSION UNITS: mm (in)



Cable Seal Without Armor Option

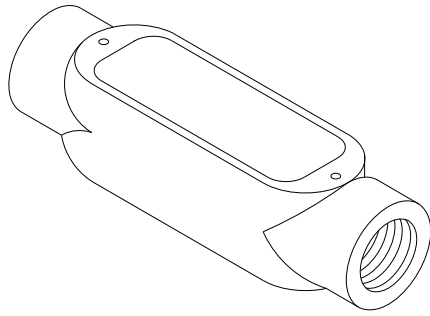


Seal-Tite Conduit Fitting Option

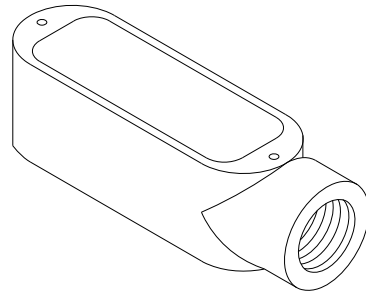


Cable Seal with Armor Option

Figure 2: Transducer dimensional diagram

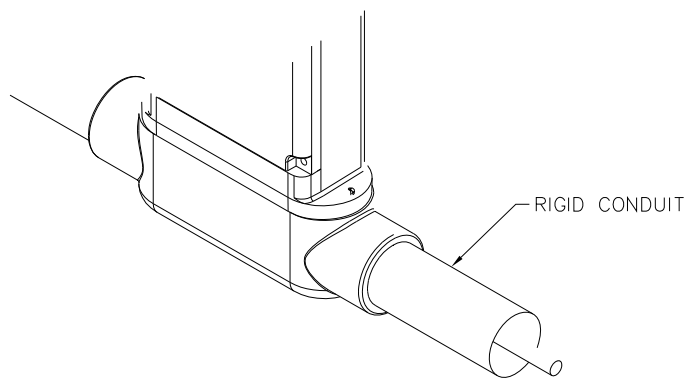


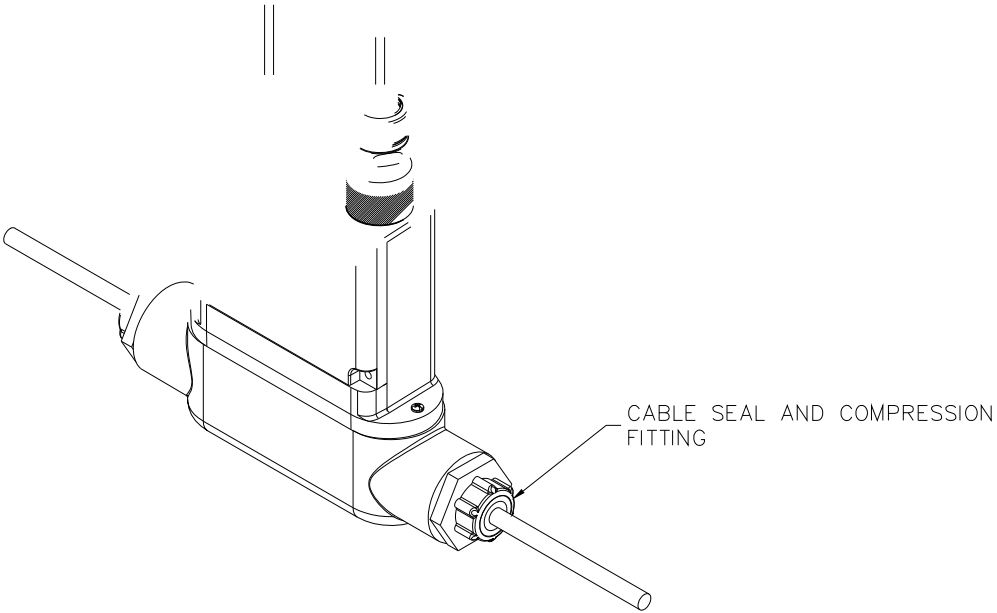
Style C Conduit Body



Style E Conduit Body

Figure 3: Conduit Body Styles provided with the flexiTIM modules





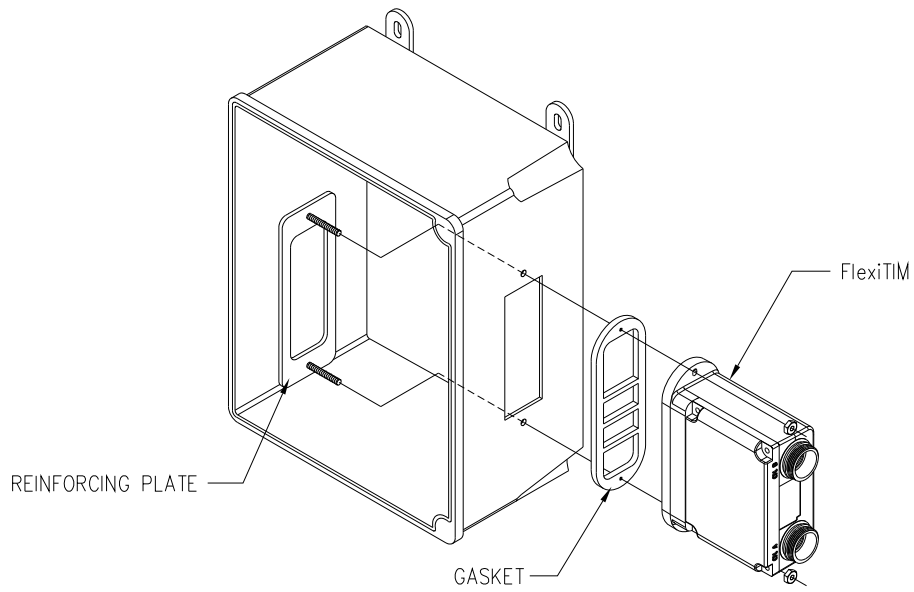


Figure 6: Installed flexiTIM module with weatherproof housing

* Denotes trademarks of Bently Nevada, Inc., a wholly owned subsidiary of General Electric Company.
Appleton is a trademark of Appleton Electric.
Sealtite is a trademark of Aldi Corporation.

© 2002 – 2010 Bently Nevada, Inc. All rights reserved.

1631 Bently Parkway South, Minden, Nevada USA 89423
Phone: 775.782.3611 Fax: 775.215.2873
www.ge-energy.com/bently